

COMPACT GARAGE DOOR

SPACE-SAVING ROLLER GARAGE DOOR:: TECHNICAL DATASHEET 2



Suitable for residential applications as a garage door, the Compact is individually made to specific user requirements. The Compact Garage Door has been designed specifically for openings where room above or to the side of an opening is limited. Remote control operation by radio frequency rolling code key fobs, courtesy light, safety features, and manual override all as standard. Internal or external face or reveal fit.



APPLICATIONS

Domestic garages with minimal space above the opening. The Compact has smaller slats, enabling a reduced box size.

CURTAIN SLAT

Aluminium double skinned polyester slat with polyurethane foam insulating core.

Finish: Various standard colours.

Visible Face:	52mm
Weight perm ² :	3kg
Maximum Width:	3000mm
Maximum Area:	9m ²
Maximum Height:	3000mm
Guide Width:	65mm
Slat U-Value:	2.2 W/m ² K

ENCLOSURE

Roll-formed aluminium box with pressure-moulded aluminium alloy end plates.

Finish: To match any standard slat colour, or traditional white or brown.

Guide Height (mm)

2195
2650

Plate Size (mm)

205
250

Plate sizes shown as a guide only and may vary.

BOTTOM SLAT Extruded aluminium bottom slat with rubber weather seal.

GUIDE CHANNELS

Extruded aluminium guide channels with brush inserts. Width of 65mm.

Finish: To match any standard slat colour, or traditional white or brown.

OPERATIONS

Electric: Somfy, JCM or Teleco remote control panel with safety sensor, courtesy light, 2 key fobs and alarm.

Optional mobile phone activation.

Somfy or Econom motor with manual override facility and crank handle.

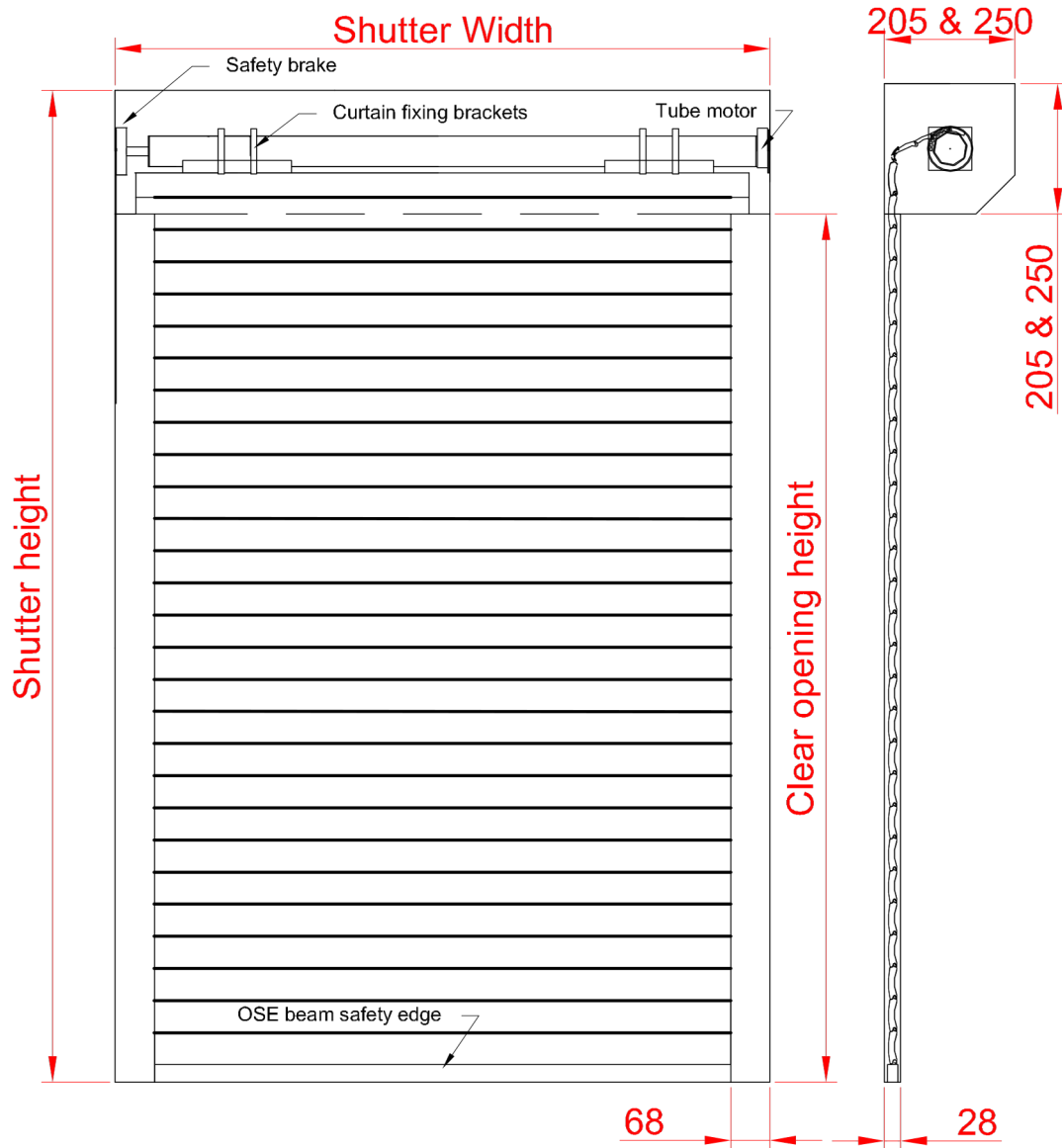
Safety brake to comply with legislation.

COMPACT GARAGE DOOR

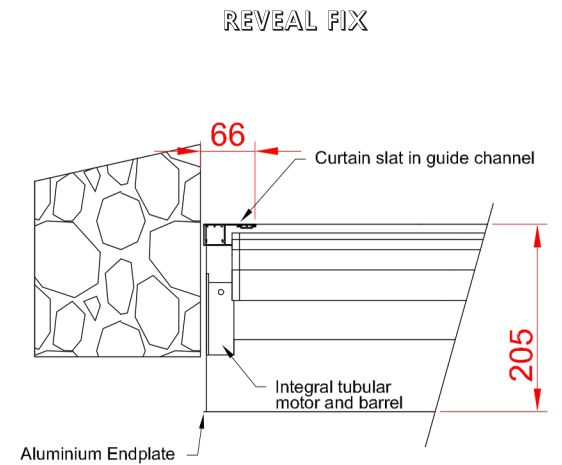
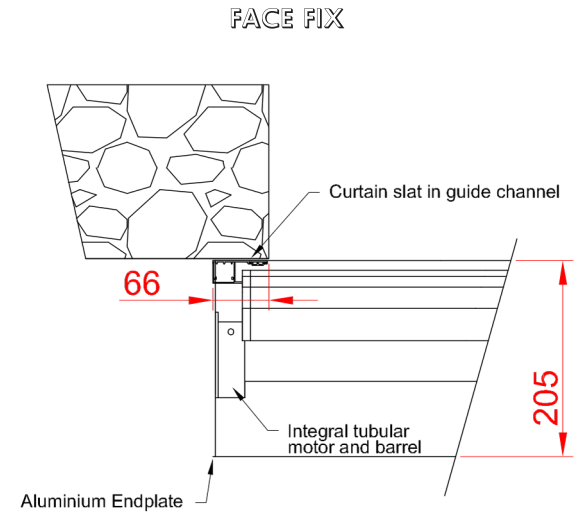
SPACE-SAVING ROLLER GARAGE DOOR :: TECHNICAL DATASHEET 2



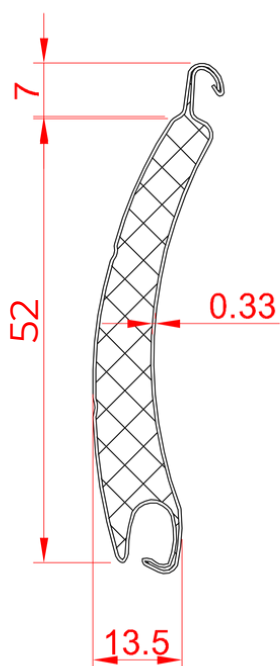
FRONT FACE



FIXING DETAIL



SLAT PROFILE



GUIDE CHANNELS

