

# CLASSIC GARAGE DOOR

## INSULATED ROLLER GARAGE DOOR: TECHNICAL DATASHEET 1



Suitable for residential applications as a garage door, the Classic is individually made to specific user requirements. Remote control operation by radio frequency rolling code key fobs, courtesy light, safety features, and manual override all as standard. Suitable for internal or external face or reveal fit. It has also been awarded "Secured by Design" status.

This door is also certified A1 (SR1) by the LPCB (Loss Prevention Certification Board) if fitted on 150mm guides.



### APPLICATIONS

Roller garage door suitable for domestic garages and light commercial use. Made to order with remote control operation and "Secured by Design" certification as standard.

### CURTAIN SLAT

77mm aluminium double skinned slat with polyurethane foam insulating core.

**Finish:** Various standard colours available.  
Laminate wood effect options available at a surcharge.

Visible Face:	77mm
Weight per m <sup>2</sup> :	5kg
Maximum Width:	5500mm
Maximum Area:	20m <sup>2</sup>
Maximum Height:	5200mm
Guide Width:	70mm or 90mm (150mm on request)
Slat U-Value:	1.5 W/m <sup>2</sup> K

### ENCLOSURE

Roll-formed aluminium box with pressure-moulded aluminium alloy end plates.

**Finish:** To match any standard slat colour, or traditional white or brown as standard.

### Guide Height (mm)

1750  
2650  
3640

### Plate Size (mm)

250  
300  
360

Plate sizes shown as a guide only and may vary.

### BOTTOM SLAT

Extruded aluminium bottom slat with rubber weather seal.

### GUIDE CHANNELS

Extruded aluminium guide channels with brush inserts. Widths of 70mm or 90mm (150mm available on request)

**Finish:** To match any standard slat colour, or traditional white or brown as standard.

### OPERATION

**Electric:** Somfy, JCM or Teleco remote control panel with safety sensor, courtesy light, 2 key fobs and alarm.  
Optional mobile phone activation.  
Somfy or Econom motor with manual override facility and crank handle.  
Safety brake to comply with legislation.

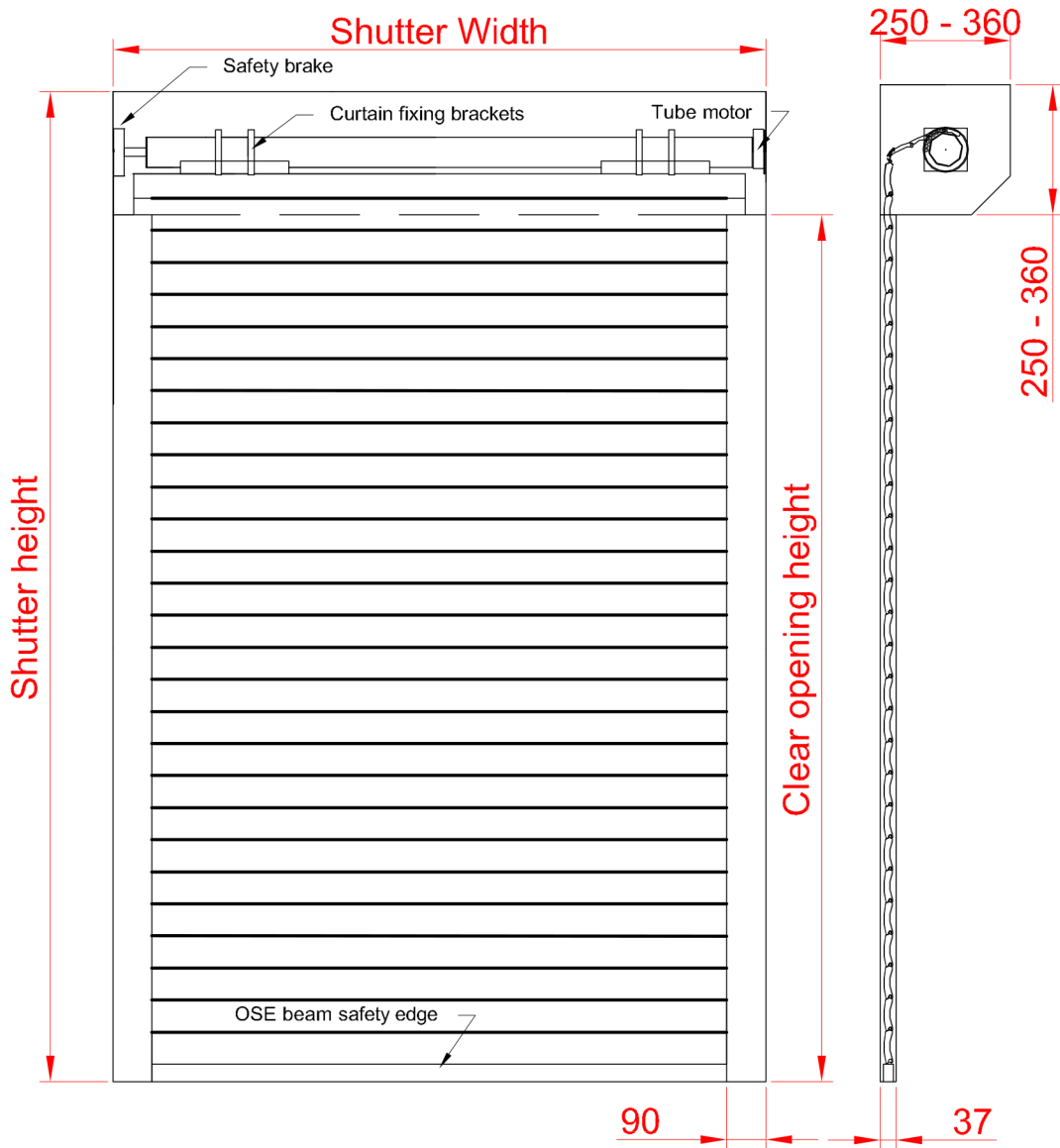
CE compliant to all applicable directives and standards.

# CLASSIC GARAGE DOOR

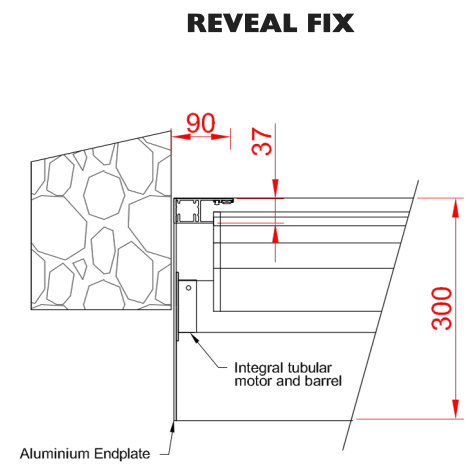
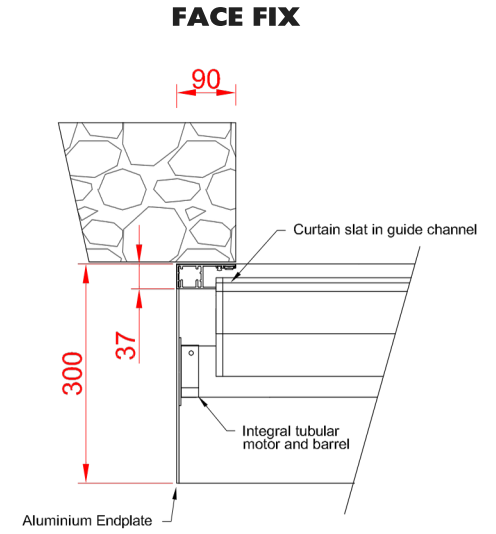
## INSULATED ROLLER GARAGE DOOR: TECHNICAL DATASHEET 1



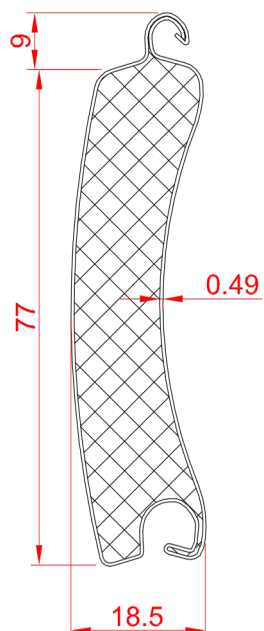
### FRONT FACE



### FIXING DETAIL



### SLAT PROFILE



### GUIDE CHANNELS

