

INSULATED ALUMINIUM SECURITY SHUTTER :: TECHNICAL DATASHEET 8

The T77 insulated security shutter is suitable for domestic, commercial & retail applications up to 16m². A wide choice of colour options are available as standard.

Note: the T77 can be upgraded to a remote controlled garage door and / or to insurance-approved, LPCB certified and 'Secured by Design' status (see Classic Garage Door and T77 Elite).



APPLICATIONS

Medium security shutter for domestic, retail & commercial sites up to 16m².

The T77 can be upgraded to a 'T77 Elite shutter' which has 'Secured by Design' status and is tested and approved by the LPCB - LPS 1175 A1 (SR1).

Suitable for internal or external face or reveal fit.

This shutter is available in a wide range of colours including wood grain finishes to match standard window and door frames.

CURTAIN SLAT

A 77mm double-skinned aluminium slat with polyurethane foam insulating core.

Finish: a wide range of colours as standard including wood grain finishes.

Visible Face:	77mm
Weight per m ² :	5kg
Maximum Width:	5500mm
Maximum Area:	16m ²
Maximum Height:	5000mm
Guide Width:	70mm or 90mm (150mm on request)
Slat U-Value:	1.5 W/m ² K

ENCLOSURE

Roll-formed aluminium box with pressure-moulded aluminium alloy end plates.

Finish: To match any standard slat colour, or traditional white or brown as standard.

Guide Height (mm)

1750
2650
4640

Plate Size (mm)

250
300
360

Plate sizes shown as a guide only and may vary.

BOTTOM SLAT

Extruded aluminium bottom slat with rubber weather seal.

GUIDE CHANNELS

Extruded aluminium guide channels with brush inserts. Width of 70mm or 90mm (150mm available on request)

Finish: To match any standard slat colour, or traditional white or brown as standard.

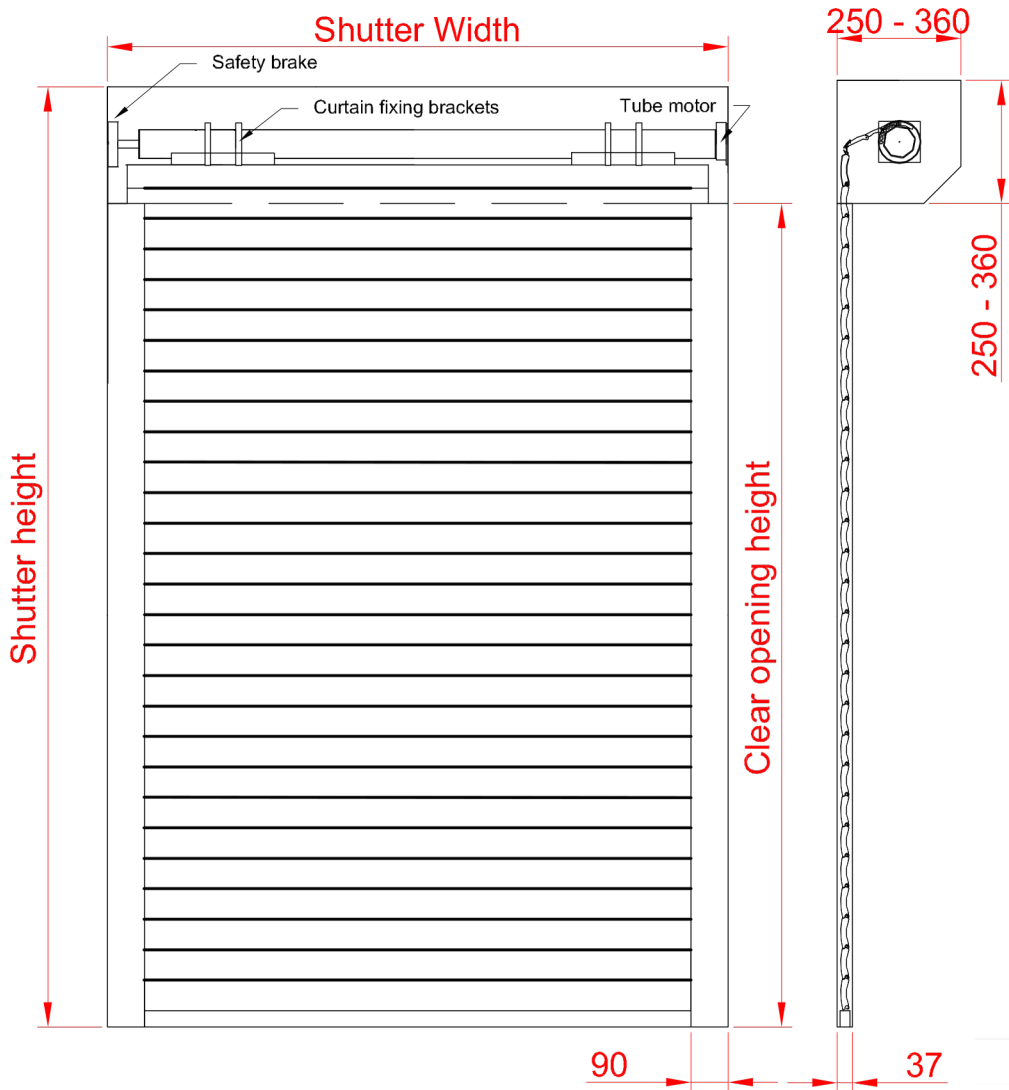
OPERATION

Electric: Somfy tubular motor as standard. Safety brake as appropriate to comply with legislation. Manual override facility & crank handle as required (surcharge applies). Push button operation as standard, with numerous control option variants such as key switch, remote and group or mobile phone activation.

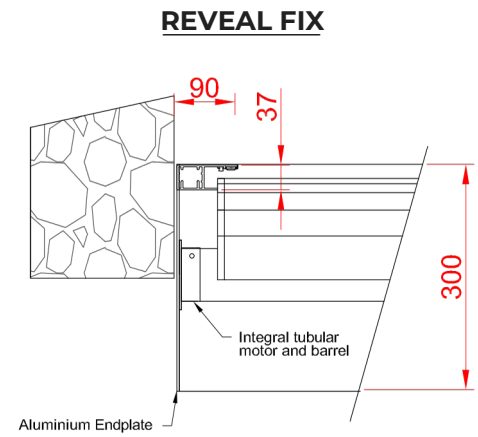
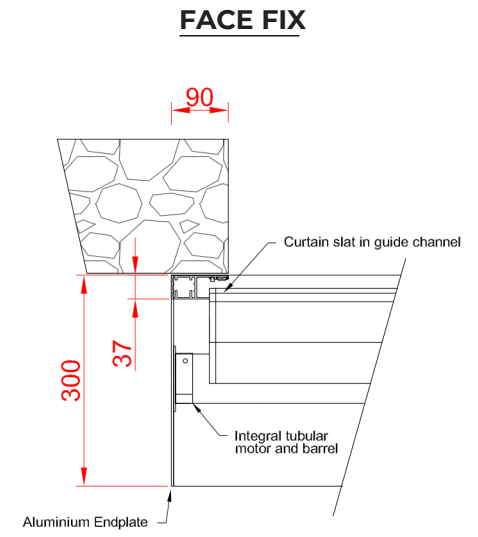
Manual Spring & Lock: Manual operation is available but not common as the shutter tends to be used to cover large openings.

CE compliant to all applicable directives and standards.

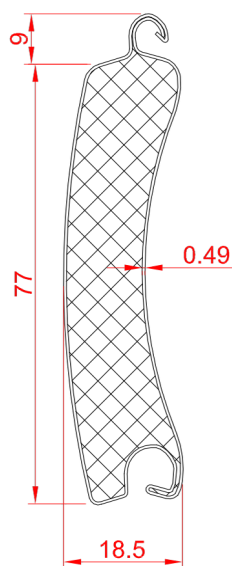
FRONT FACE



FIXING DETAIL



SLAT PROFILE



GUIDE CHANNELS

