

Suitable for domestic and commercial sites up to 9m<sup>2</sup>, the V37 and P37 provide the benefits of the compact E37 roller shutter with additional vision. The V37 has a punched profile and the P37 has a perforated profile. Both are formed from single-skinned extruded aluminium and offer small box sizes for compact openings. Electric and manual operation are available.



### APPLICATIONS

Domestic and commercial sites, up to 9m<sup>2</sup>. The V37 (vision profile) and P37 (perforated) rolling shutters are a robust and lightweight barrier concealed within a compact enclosure when fully open. The shutter range is ideal for window openings and pedestrian door entrances, Suitable for internal or external face or reveal fit. The solid (E37) profile, punched (V37) and perforated (P37) profiles can be combined to offer partial or full vision as required.

### CURTAIN SLAT

A 37.5mm Single-skinned extruded aluminium with punched sections (V37) or perforated (P37) profile.

**Finish:** White, Anthracite or Black as standard.  
Option to powder coat any RAL / BS colour (surcharge applies).

Visible Face:	37.5mm
Weight per m <sup>2</sup> :	V37 = 5kg (without inserts) 6.5kg (with inserts) P37 = 6kg
Maximum Width:	3000mm
Maximum Area:	9m <sup>2</sup>
Maximum Height:	3400mm
Guide Width:	53mm or 68mm

### ENCLOSURE

Roll-formed aluminium box with pressure-moulded aluminium end plates.

**Finish:** White, Anthracite or Black as standard.  
Option to powder coat any RAL / BS colour (surcharge applies).

### Guide Height (mm)

1050  
1535  
1820  
2695  
3550

### Plate Size (mm)

150  
165  
180  
205  
250

Plate sizes shown as a guide only and may vary.

### BOTTOM SLAT

Extruded aluminium bottom slat with rubber weather seal.

### GUIDE CHANNELS

Extruded aluminium guide channels with brush inserts. Width of 53mm or 68mm.

**Finish:** White, Anthracite or Black as standard.  
Option to powder coat any RAL / BS colour (surcharge applies).

### OPERATION

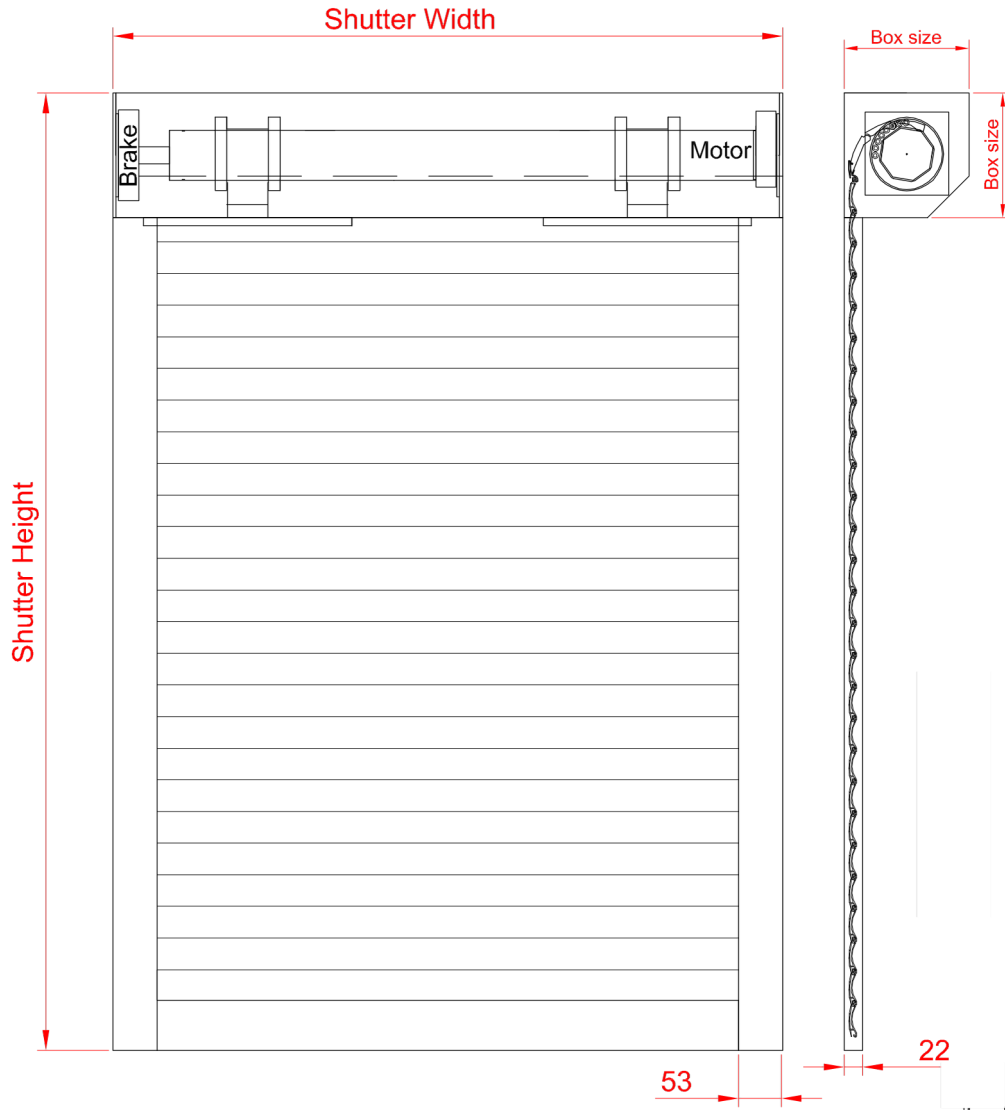
**Electric:** Somfy tubular motor as standard. Safety brake as appropriate to comply with legislation. Manual override facility & crank handle as required (surcharge applies). Push button operation as standard, with numerous control option variants such as key switch, remote and group mobile phone activation.

**Manual Cord Belt:** A swivel winder coils the belt within a compact box

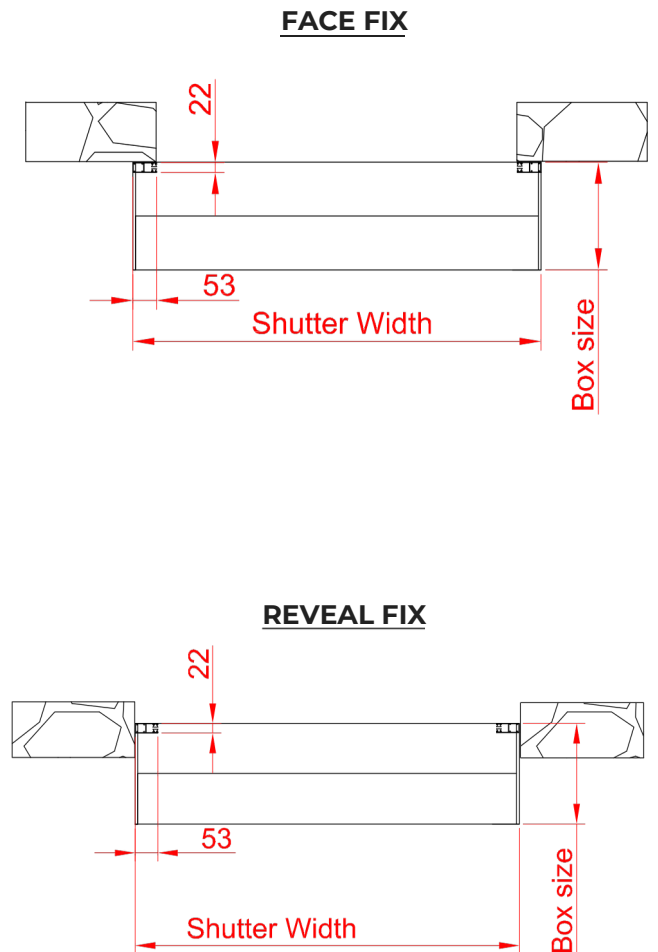
**Manual Spring & Lock:** A counter-balanced spring assembly with a key-lock bottom slat & handles.

CE compliant to all applicable directives and standards.

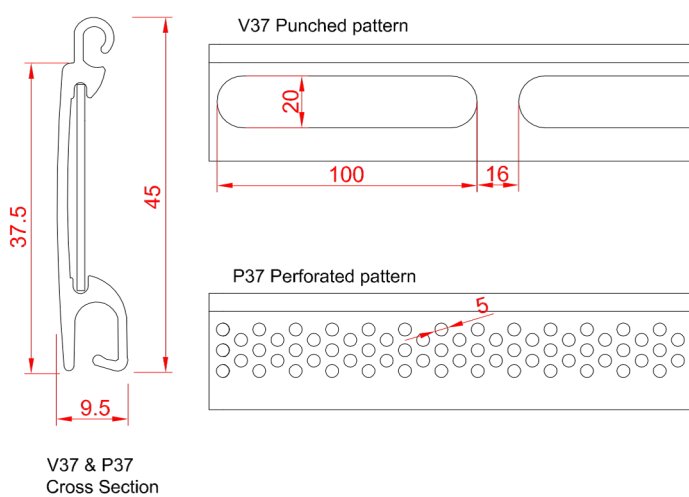
### FRONT FACE



### FIXING DETAIL



### SLAT PROFILE



### GUIDE CHANNELS

