

## EXTRUDED ALUMINIUM SECURITY SHUTTER :: TECHNICAL DATASHEET 6

The E37 shutter is formed from a 37.5mm double-skinned extruded aluminium slat.

It is suitable for applications with openings up to 12m<sup>2</sup> and enables the most compact box sizes of any of our roller shutters. A choice of operation types is available for the E37.

This shutter can also be combined with the V37 (punched vision sections) and P37 (perforated slats) to combine strength and ventilation.



**APPLICATIONS** Domestic, retail and commercial sites, up to 12m<sup>2</sup>. The E37 rolling shutter is a robust and lightweight barrier which is concealed within a compact enclosure when fully open. It is ideal for window openings and pedestrian door entrances. Suitable for internal or external face or reveal fit. Punched (V37) or Perforated (P37) profile slats may be incorporated as required for full or partial vision.

### CURTAIN SLAT

A 37.5mm Double-skinned extruded aluminium slat.

**Finish:** White, Anthracite or Black as standard.  
Option to powder coat any RAL / BS colour (surcharge applies).

Visible Face:	37.5mm
Weight per m <sup>2</sup> :	7.5kg
Maximum Width:	4000mm
Maximum Area:	12m <sup>2</sup>
Maximum Height:	3400mm
Guide Width:	53mm or 68mm

### ENCLOSURE

Roll-formed aluminium box with pressure-moulded aluminium end plates.

**Finish:** White, Anthracite or Black as standard.  
Option to powder coat any RAL / BS colour (surcharge applies).

### Guide Height (mm)

1050  
1535  
1820  
2695  
3550

### Plate Size (mm)

150  
165  
180  
205  
250

Plate sizes shown as a guide only and may vary.

### BOTTOM SLAT

Extruded aluminium bottom slat with rubber weather seal.

### GUIDE CHANNELS

Extruded aluminium guide channels with brush inserts.  
Width of 53mm or 68mm.

**Finish:** White, Anthracite or Black as standard.  
Option to powder coat any RAL / BS colour (surcharge applies).

### OPERATION

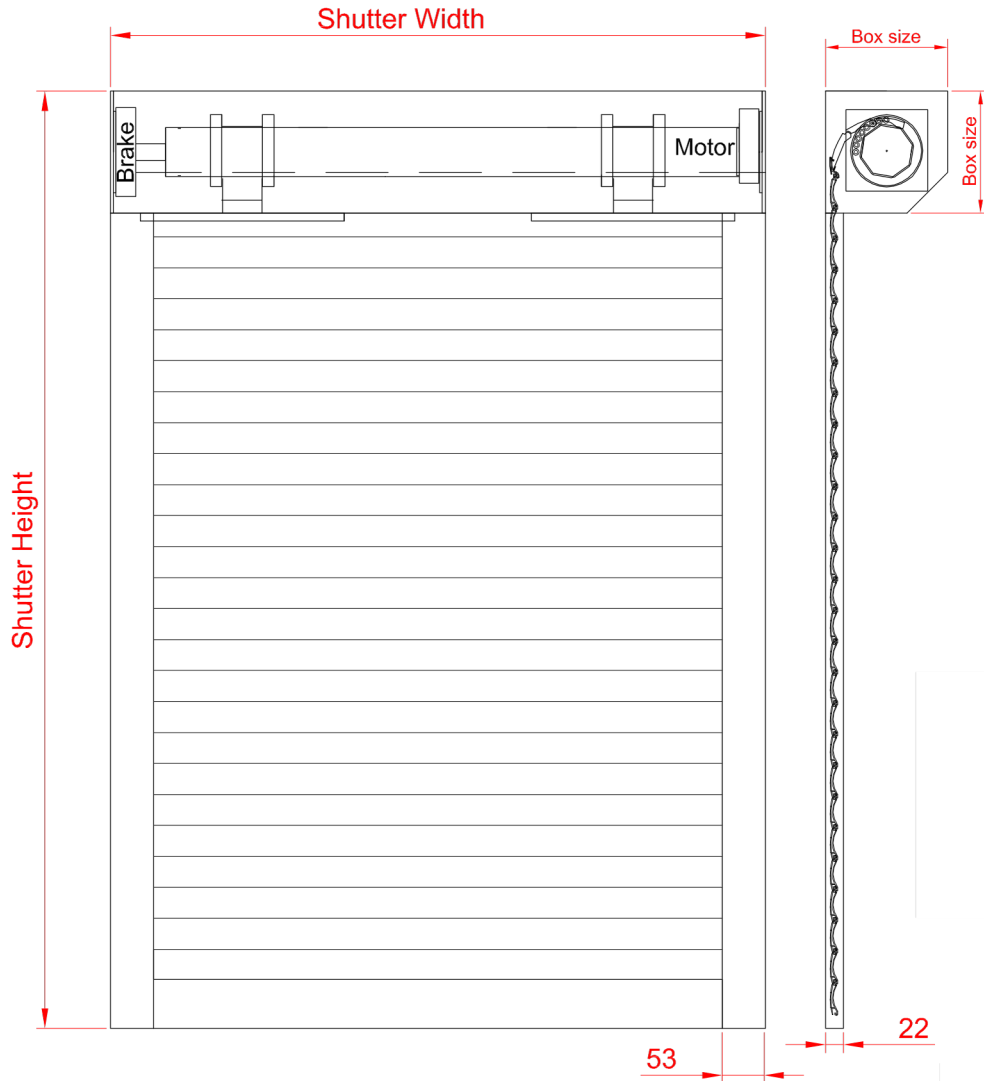
**Electric:** Somfy tubular motor as standard. Safety brake as appropriate to comply with legislation. Manual override facility & crank handle as required (surcharge applies). Push button operation as standard, with numerous control option variants such as key switch, remote and group mobile phone activation.

**Manual Cord Belt:** A swivel winder coils the belt within a compact box

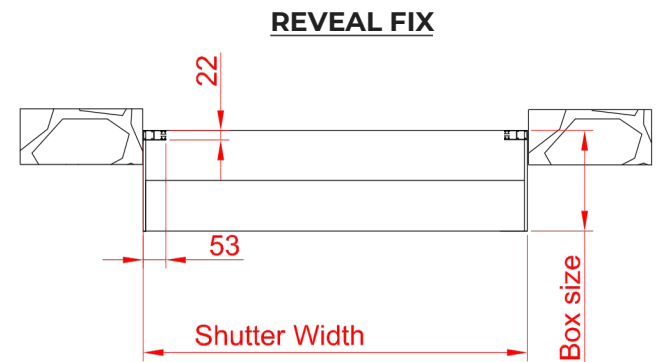
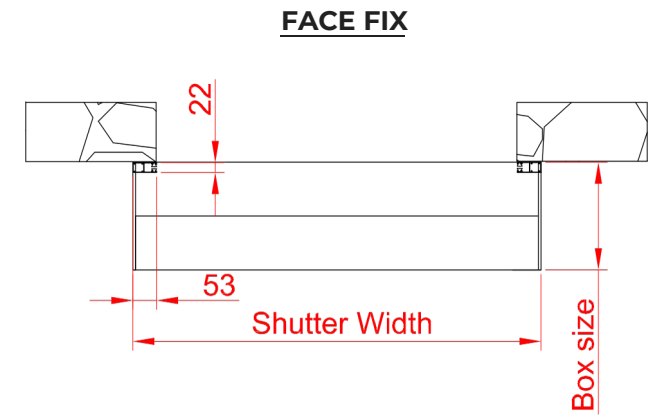
**Manual Spring & Lock:** A counter-balanced spring assembly with a key-lock bottom slat & handles.

CE compliant to all applicable directives and standards.

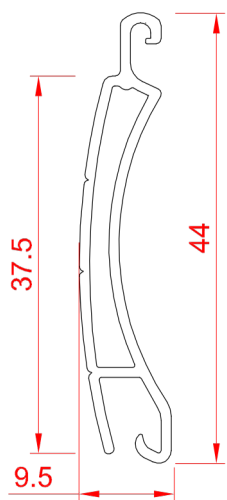
### FRONT FACE



### FIXING DETAIL



### SLAT PROFILE



### GUIDE CHANNELS

