

The M511 provides security, insulation and sound proofing to domestic and commercial sites. It is suitable for internal or external face or reveal fit types, with vented profiles available on request. A choice of colours is included as standard.



**M511
Non-Vented**

**M511
Vented**

Guide Height (mm)

Plate Size (mm)

1745
2900
4200

205
250
300

Plate sizes shown as a guide only and may vary.

BOTTOM SLAT

Extruded aluminium bottom slat with rubber weather seal.

GUIDE CHANNELS

Extruded aluminium guide channels with brush inserts. Width of 65mm

Finish: White, Anthracite or Black as standard.

Option to powder coat to any RAL/BS colour (surcharge applies)

OPERATION

Electric: Somfy tubular motor as standard. Safety brake as appropriate to comply with legislation. Manual override facility & crank handle as required (surcharge applies). Push button operation as standard, with numerous control option variants such as key switch, remote and group or mobile phone activation.

Manual Cord Belt: A swivel winder coils the belt within a compact box.

Manual Spring & Lock: A counter-balanced spring assembly with a key-lock bottom slat & handles.

CE compliant to all applicable directives and standards.

APPLICATIONS Medium security domestic and commercial sites requiring insulation and sound proofing. Can be internal or external face or reveal fit, with a maximum opening size of 12m².

CURTAIN SLAT

Double-skinned polyester powder-coated aluminium slat with polyurethane foam insulating core. Vented and unvented options.

Finish: White, Anthracite or Black as standard in vented and unvented.
Other colours available, price on application.

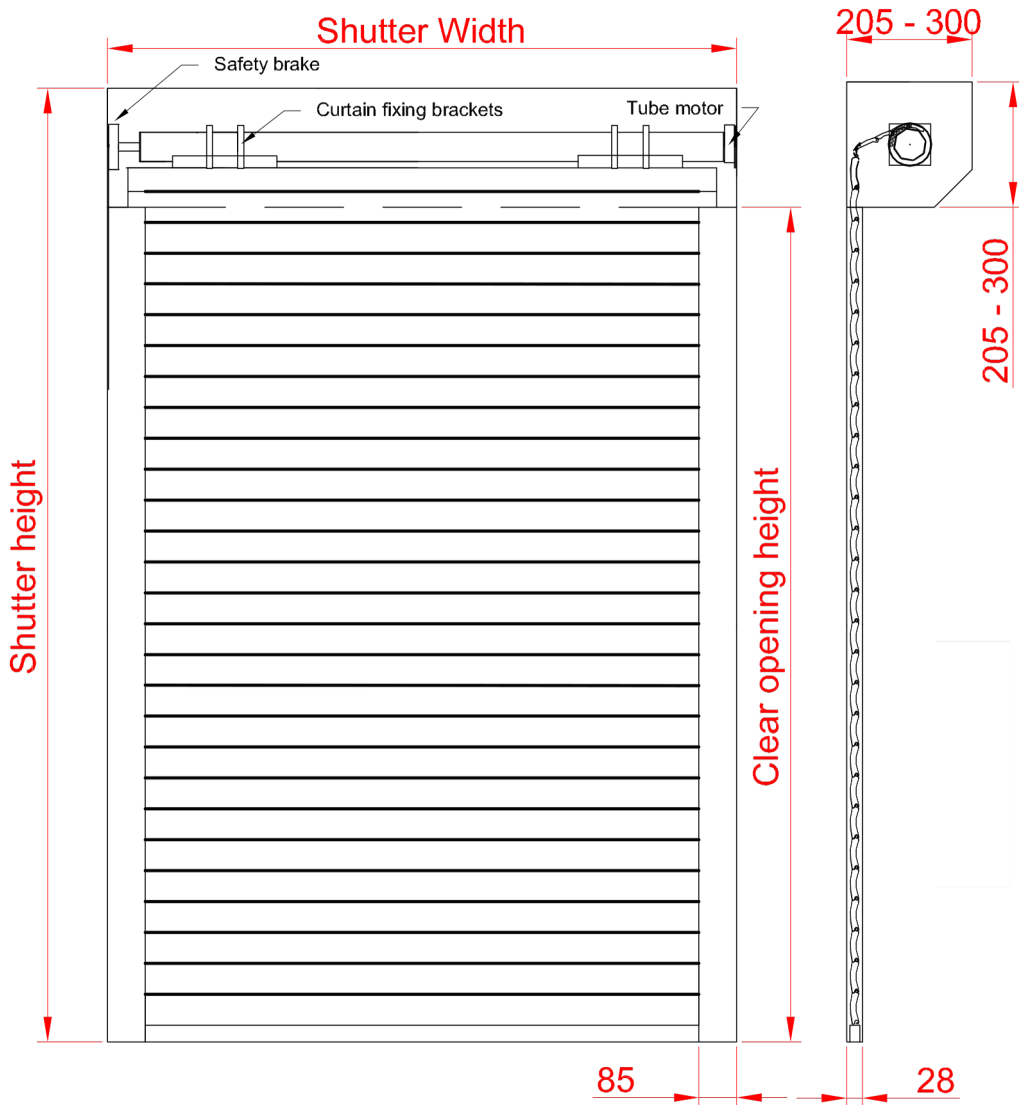
Visible Face:	55mm
Weight per m ² :	4kg
Maximum Width:	5000mm
Maximum Area:	12m ²
Maximum Height:	4000mm
Guide Width:	65mm
Slat U-Value:	2.9W/m ² K

ENCLOSURE

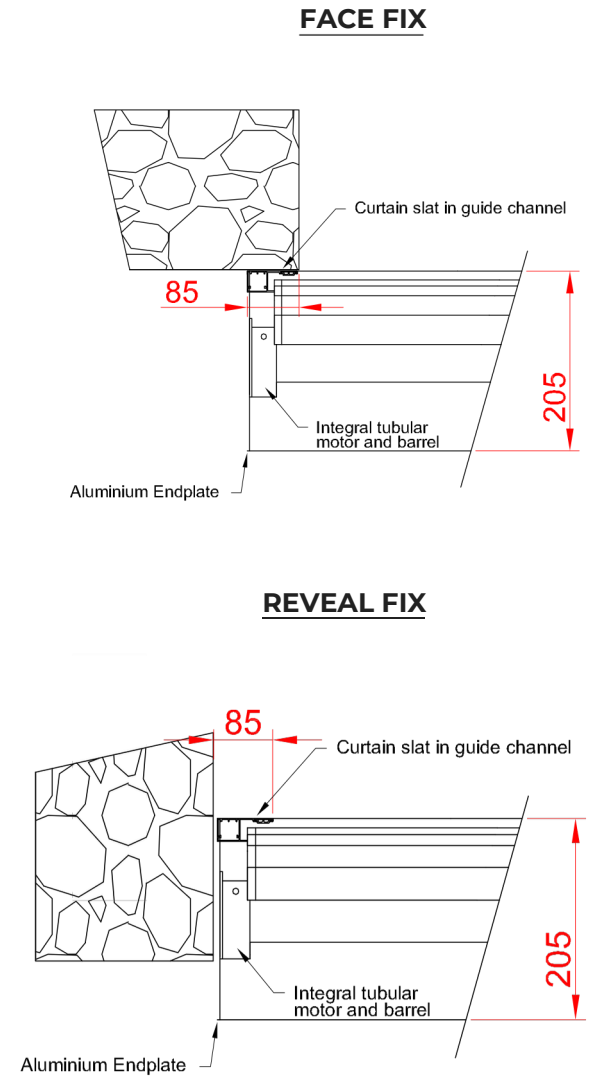
Roll-formed aluminium box with pressure-moulded aluminium alloy end plates.

Finish: White, Anthracite or Black as standard.
Option to powder coat to any RAL/BS colour (surcharge applies)

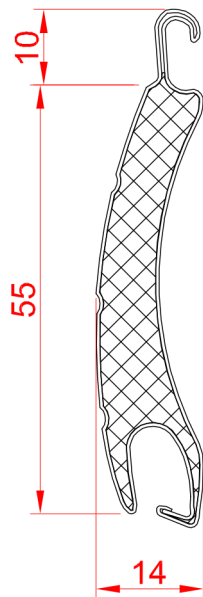
FRONT FACE



FIXING DETAIL



SLAT PROFILE



GUIDE CHANNELS

