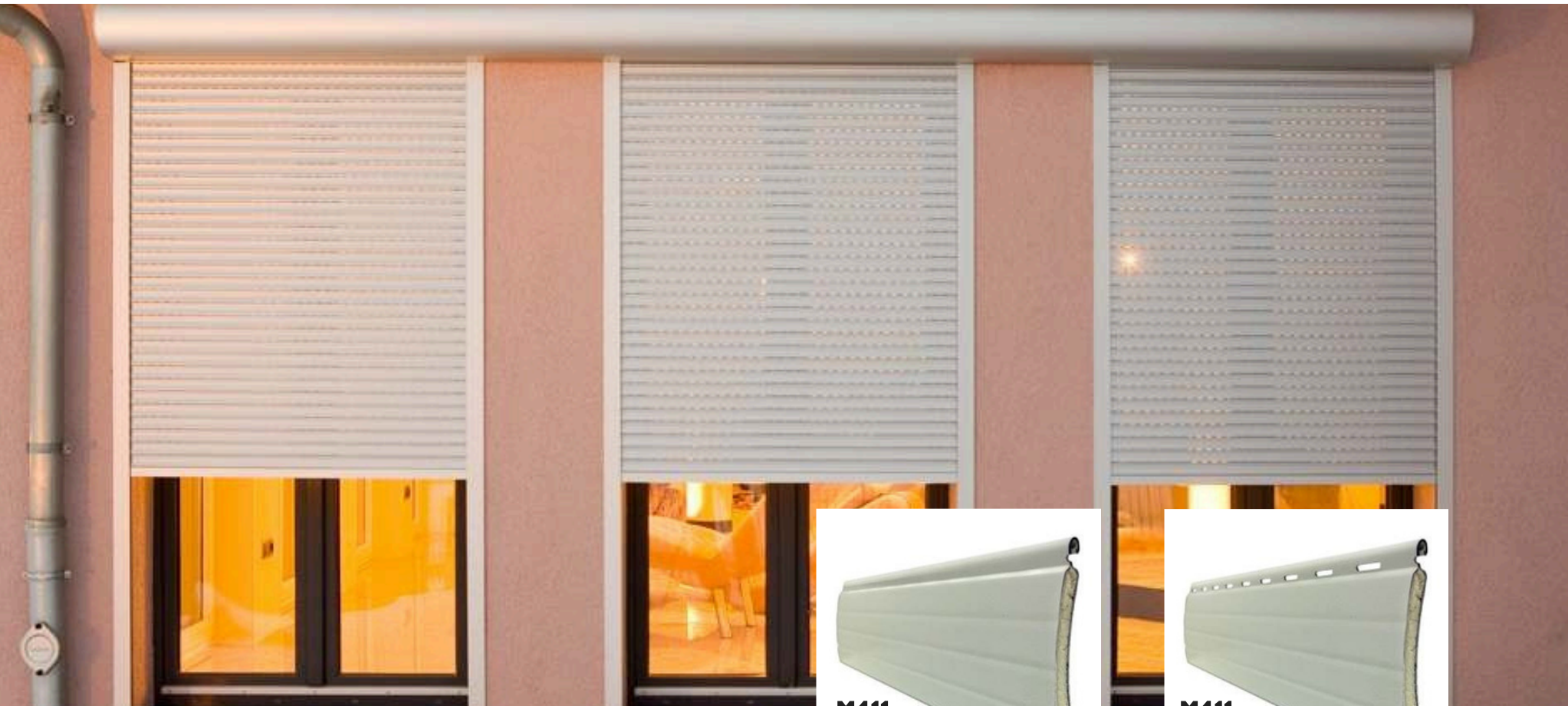


Suitable for medium security domestic & commercial applications with a maximum area of 8m<sup>2</sup>. As well as security, the polyurethane foam core offers enhanced heat and sound insulation. Optional integrated light slots enable light ingress and airflow when the shutter is partially lowered. Suitable for internal or external face or reveal fit.



**M411  
Non-Vented**



**M411  
Vented**



**APPLICATIONS** Domestic and commercial sites requiring insulation and sound proofing. Suitable for internal or external face or reveal fit.

### CURTAIN SLAT

Double-skinned polyester powder-coated aluminium slat with polyurethane foam insulating core. Vented and unvented options.

**Finish:** White, Anthracite or Black as standard in vented and unvented.  
Option to powder coat any RAL/CB colour (surcharge applies)

Visible Face:	42mm
Weight per m <sup>2</sup> :	3kg
Maximum Width:	3400mm
Maximum Area:	8m <sup>2</sup>
Maximum Height:	2600mm
Guide Width:	53mm or 68mm
Slat U-Value:	3.7 W/m <sup>2</sup> K

### ENCLOSURE

Roll-formed aluminium box with pressure-moulded aluminium alloy end plates.

**Finish:** White, Anthracite or Black as standard in vented and unvented.  
Option to powder coat any RAL/CB colour (surcharge applies)

### Guide Height (mm)

1050  
1435  
1720  
2295  
3350

### Plate Size (mm)

150  
165  
180  
205  
250

Plate sizes shown as a guide only and may vary.

### BOTTOM SLAT

Extruded aluminium bottom slat with rubber weather seal.

### GUIDE CHANNELS

Extruded aluminium guide channels with brush inserts. Width of 53mm or 68mm

Finish: White Anthracite or Black as standard. Option to powder coat any RAL / BS colour (surcharge applies).

### OPERATION

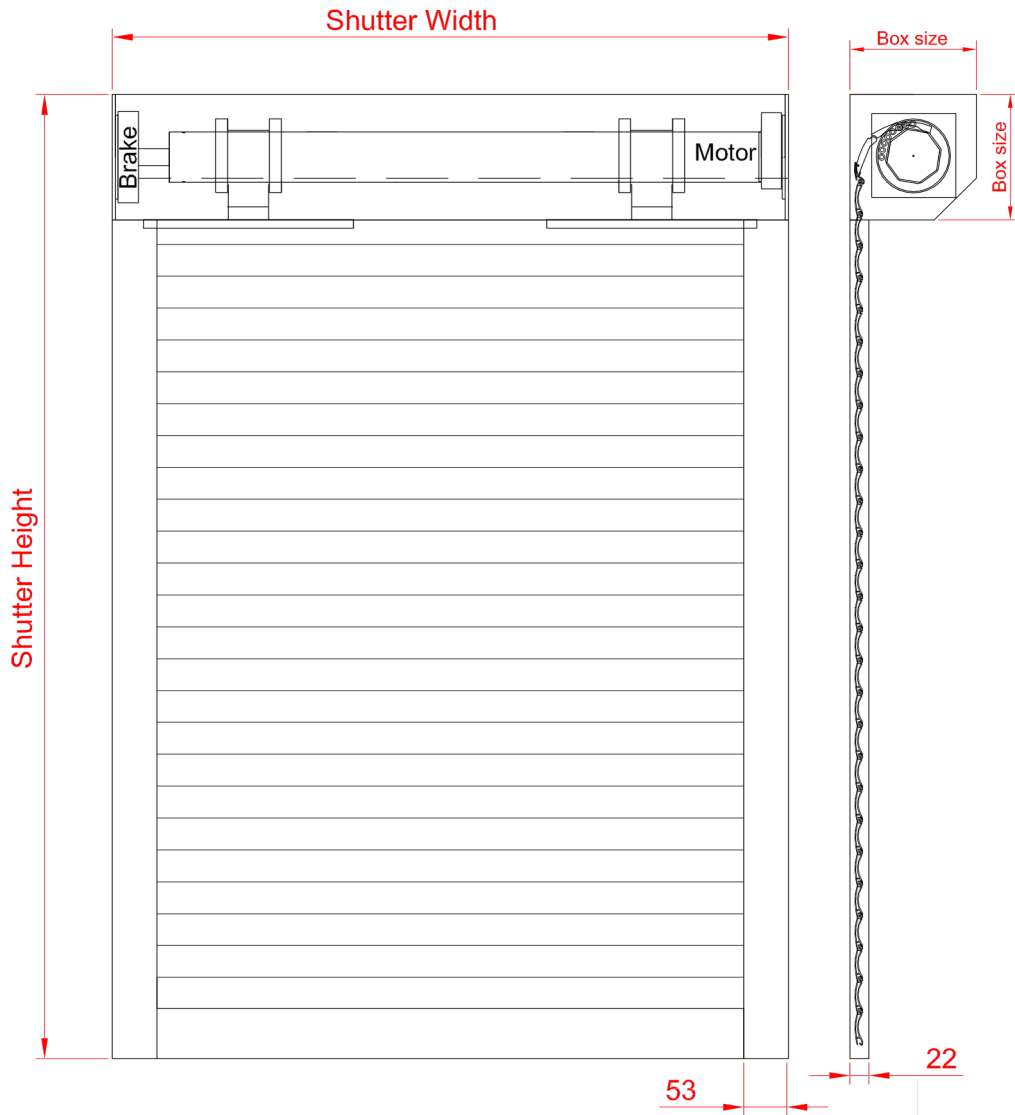
**Electric:** Somfy tubular motor as standard. Safety brake as appropriate to comply with legislation. Manual override facility & crank handle as required (surcharge applies). Push button operation as standard, with numerous control option variants such as key switch, remote and group or mobile phone activation.

**Manual Cord Belt:** A swivel winder coils the belt within a compact box.

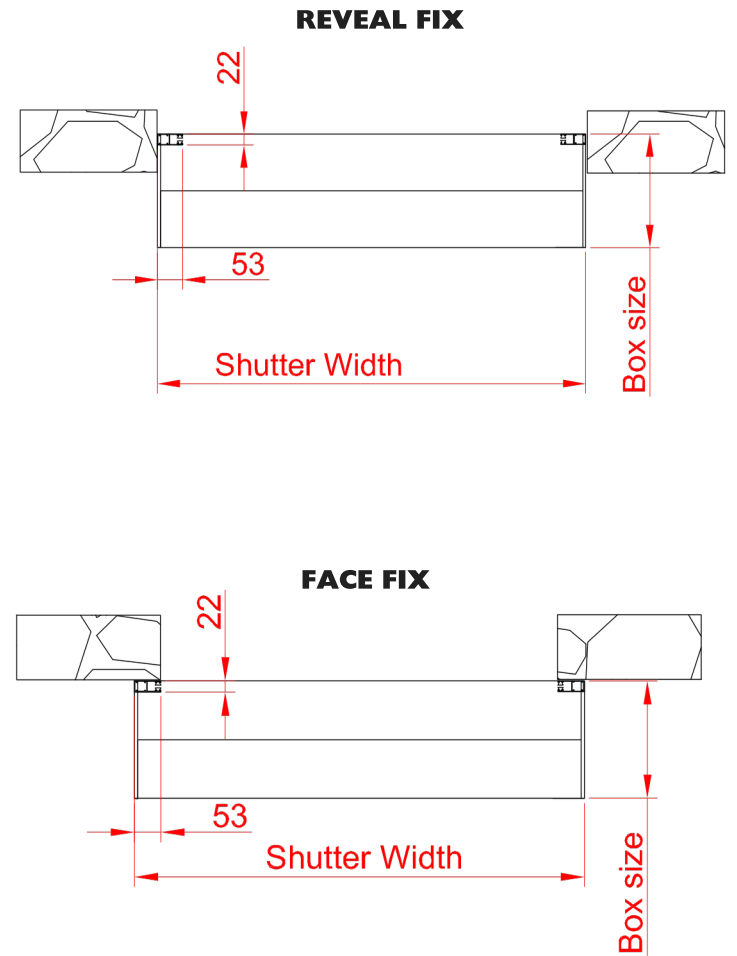
**Manual Spring & Lock:** A counter-balanced spring assembly with a key-lock bottom slat & handles.

CE compliant to all applicable directives and standards.

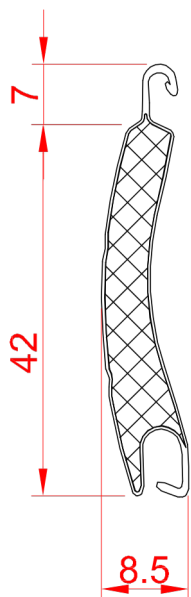
### FRONT FACE



### FIXING DETAIL



### SLAT PROFILE



### GUIDE CHANNELS

