

Suitable for domestic, retail and commercial sites. The P77 and V77 provide the benefits of the E77 shutter with vision. The P77 is a perforated aluminium slat offers 22% vision and the V77 is a punched aluminium slat offers 41% vision. Suitable for openings up to 25m<sup>2</sup>, with electric operation as standard. Solid profile slats (E77) can be incorporated as required.



### APPLICATIONS

The P77 & V77 shutters are suitable for commercial and retail sites up to 25m<sup>2</sup>

The P77 (Perforated) shutter provides 22% vision. The V77 (Punched) provides up to 41% vision and has optional polycarbonate inserts to add thermal insulation (surcharge applies). Both shutters offer solid security and the aesthetic impact of standard aluminium shutters, they can be incorporated along with the E77 depending on vision required. Suitable for internal or external face or reveal fit.

Both the P77 and V77 can be upgraded to insurance approved Secured by Design shutter, meeting LPCB LPS1175, issue 8 standard to B3 (SR2).

### CURTAIN SLAT

A 77mm single-skinned extruded aluminium slat. P77 has punched rectangular vision sections, the V77 has perforated slats.

**Finish:** White, Anthracite & Black as standard. Option to powder coat any RAL / BS colour (surcharge applies).

Visible Face:	77mm
Weight per m <sup>2</sup> :	V77 = 7kg (without inserts) V77 = 8.5kg (with inserts) P77 = 7.5kg
Maximum Width:	6500mm
Maximum Area:	25m <sup>2</sup>
Maximum Height:	5000mm
Guide Width:	70mm or 90mm (150mm on request)

### ENCLOSURE

Roll-formed aluminium box with pressure-moulded aluminium alloy end plates.

**Finish:** White, Anthracite & Black as standard. Option to powder coat any RAL / BS colour (surcharge applies).



### Guide Height (mm)

1750  
2650  
4640

### Plate Size (mm)

250  
300  
360

Plate sizes shown as a guide only and may vary.

### BOTTOM SLAT

Extruded aluminium bottom slat with weather seal.

### GUIDE CHANNELS

Extruded aluminium guide channels with brush inserts. Width of 70mm or 90mm (150mm available on request)

**Finish:** White, Anthracite & Black as standard. Option to powder coat any RAL / BS colour (surcharge applies).

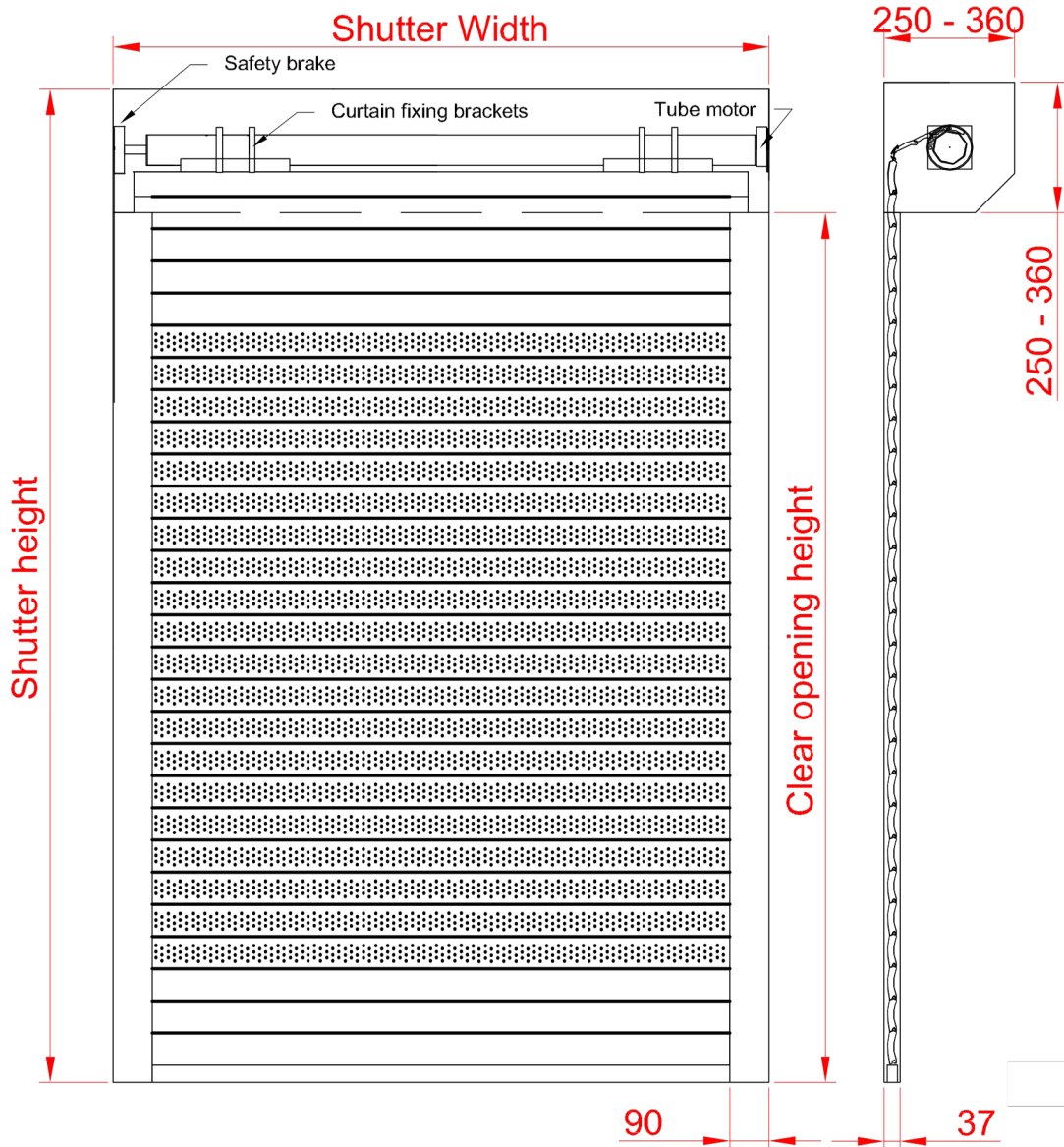
### OPERATION

**Electric:** Somfy tubular motor as standard. Safety brake as appropriate to comply with legislation. Manual override facility & crank handle as required (surcharge applies). Push button operation as standard, with numerous control option variants such as key switch, remote and group or mobile phone activation.

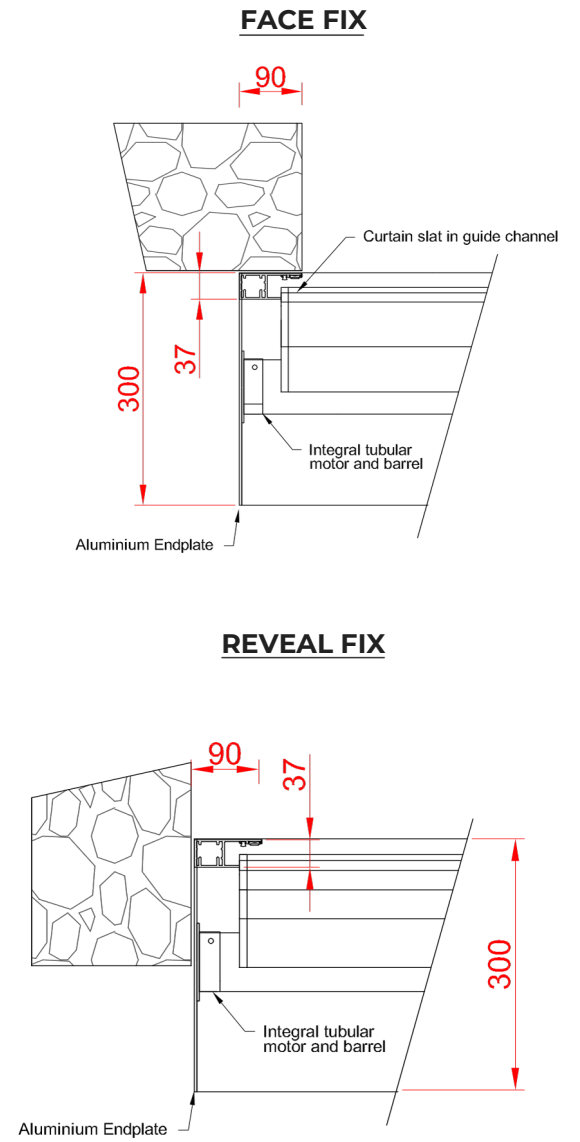
**Manual Spring & Lock:** Manual operation is available but not common as the shutter tends to be used to cover large openings.

CE compliant to all applicable directives and standards.

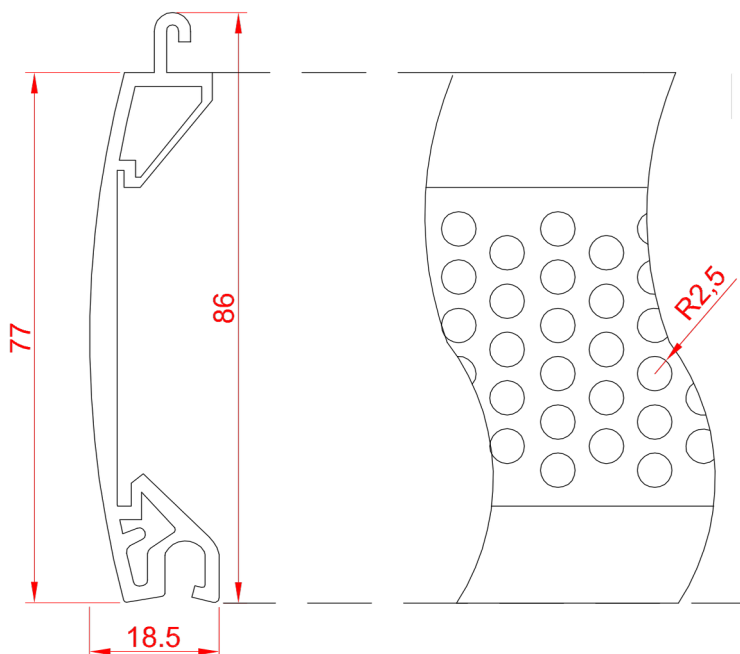
### FRONT FACE



### FIXING DETAIL



### SLAT PROFILE



### GUIDE CHANNELS

