

Suitable for retail and commercial sites up to 25m<sup>2</sup>, the V77 and P77 provide the benefits of the E77 roller shutter with additional vision. The V77 has a punched profile and the P77 has a perforated profile. Both are formed from single-skinned extruded aluminium. Electric and manual operation are available.



### APPLICATIONS

Commercial sites & shop front applications, up to 25m<sup>2</sup>. The V77 shutter affords 41% vision as well as an outstanding security rating among vision profiles. The slat offers polycarbonate inserts to infill the punched section if required, adding to the thermal insulation properties and the security value. The P77 perforated vision profile shutter affords 22% see-through vision with the solid security and aesthetic impact of standard aluminium shutters. Suitable for internal or external face or reveal fit.

Solid E77 profiles can be incorporated as required.

The V77 can also be upgraded to insurance approved Secured By Design status, meeting LPCB LPS1175 (6.0) standard to SR2.

### CURTAIN SLAT

Single skinned extruded aluminium.

Finish: White, Anthracite or Black as standard. Option to powder coat any RAL / BS colour (surcharge applies).

Visible Face:	77mm
Weight per m <sup>2</sup>	7kg (V77 without inserts) 8.5kg (V77 with inserts) 7.5kg (P77)

Maximum Width:	6000mm
Maximum Area:	25m <sup>2</sup>

### ENCLOSURE

Manufactured from roll-formed aluminium with pressure-moulded aluminium alloy end plates.

Finish: White or Brown as standard. Option to powder coat any RAL / BS colour (surcharge applies).

### Guide Height (mm)

1650  
2600  
4640

### Plate Size (mm)

250  
300  
360

Plate sizes shown as a guide only and may vary.

### BOTTOM SLAT

Extruded aluminium bottom slat with weather seal.

### GUIDE CHANNELS

Extruded aluminium with brush inserts. Width of 70mm, 90mm or 150mm.

Finish: White or Brown as standard. Option to powder coat any RAL / BS colour (surcharge applies).

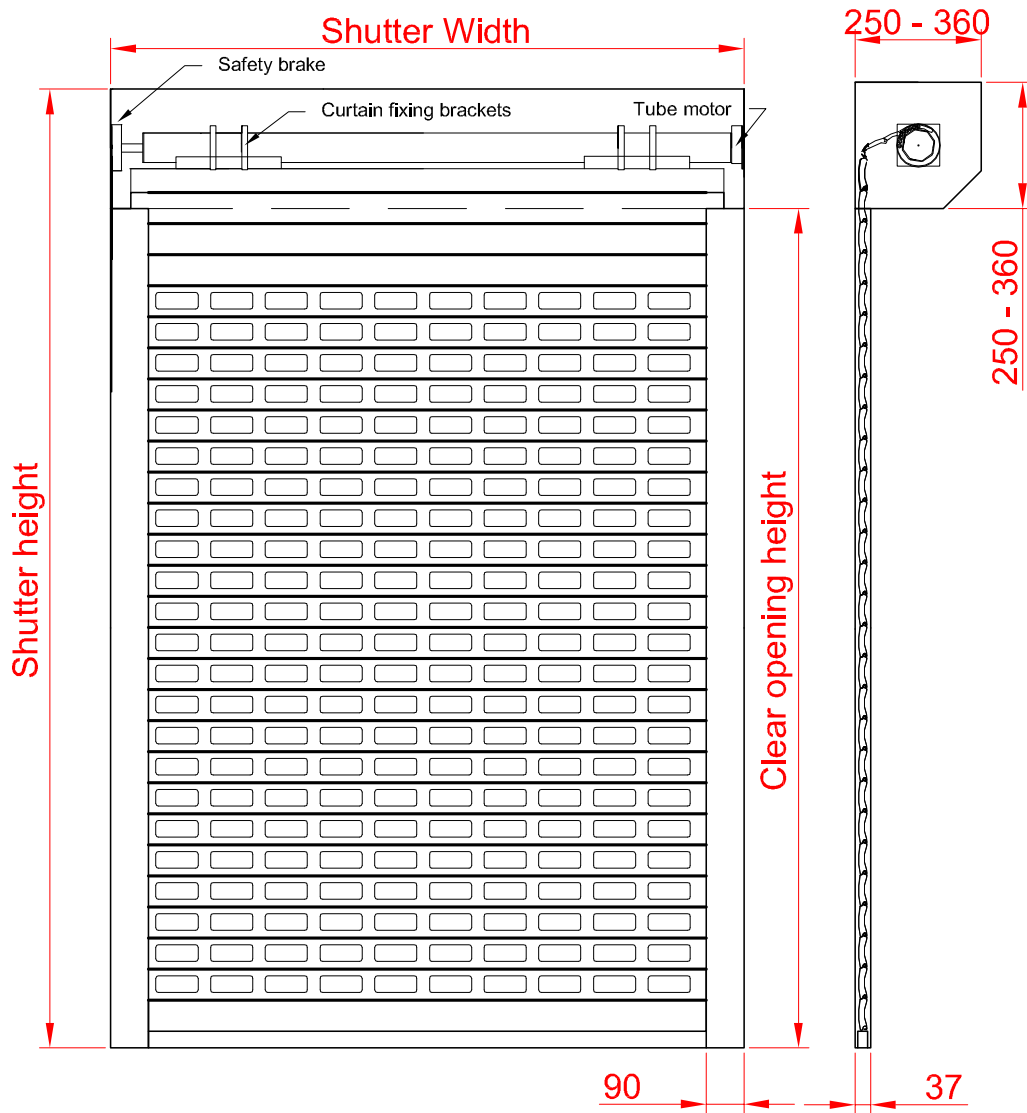
### OPERATION

Electric: Somfy tubular motor as standard. Safety brake as appropriate to comply with legislation. Manual override facility & crank handle as required (surcharge applies).

All motors have numerous control option variants such as rocker switch, key switch, remote and group or mobile phone activation.

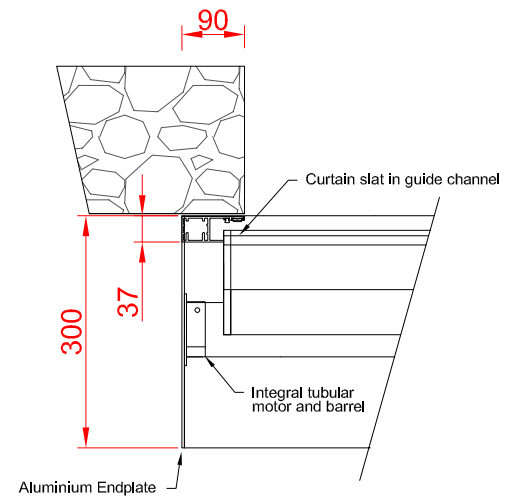
Manual: Manual operation is available but not common as the shutter tends to be used to cover large openings.

### FRONT FACE

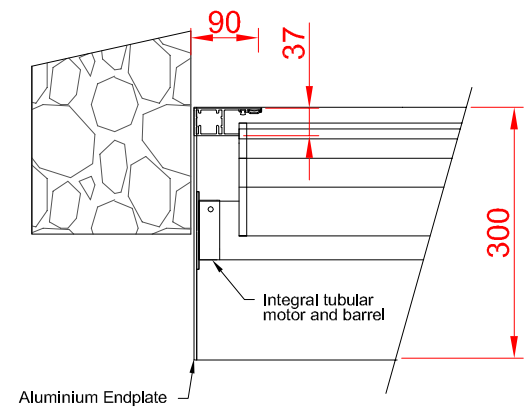


### FIXING DETAIL

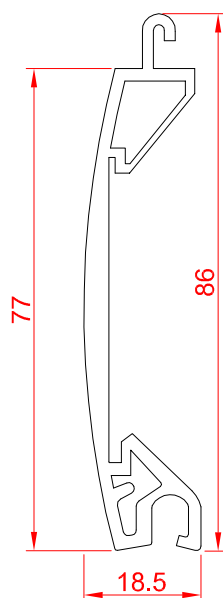
#### FACE FIX



#### REVEAL FIX



### SLAT PROFILE



### GUIDE CHANNELS

