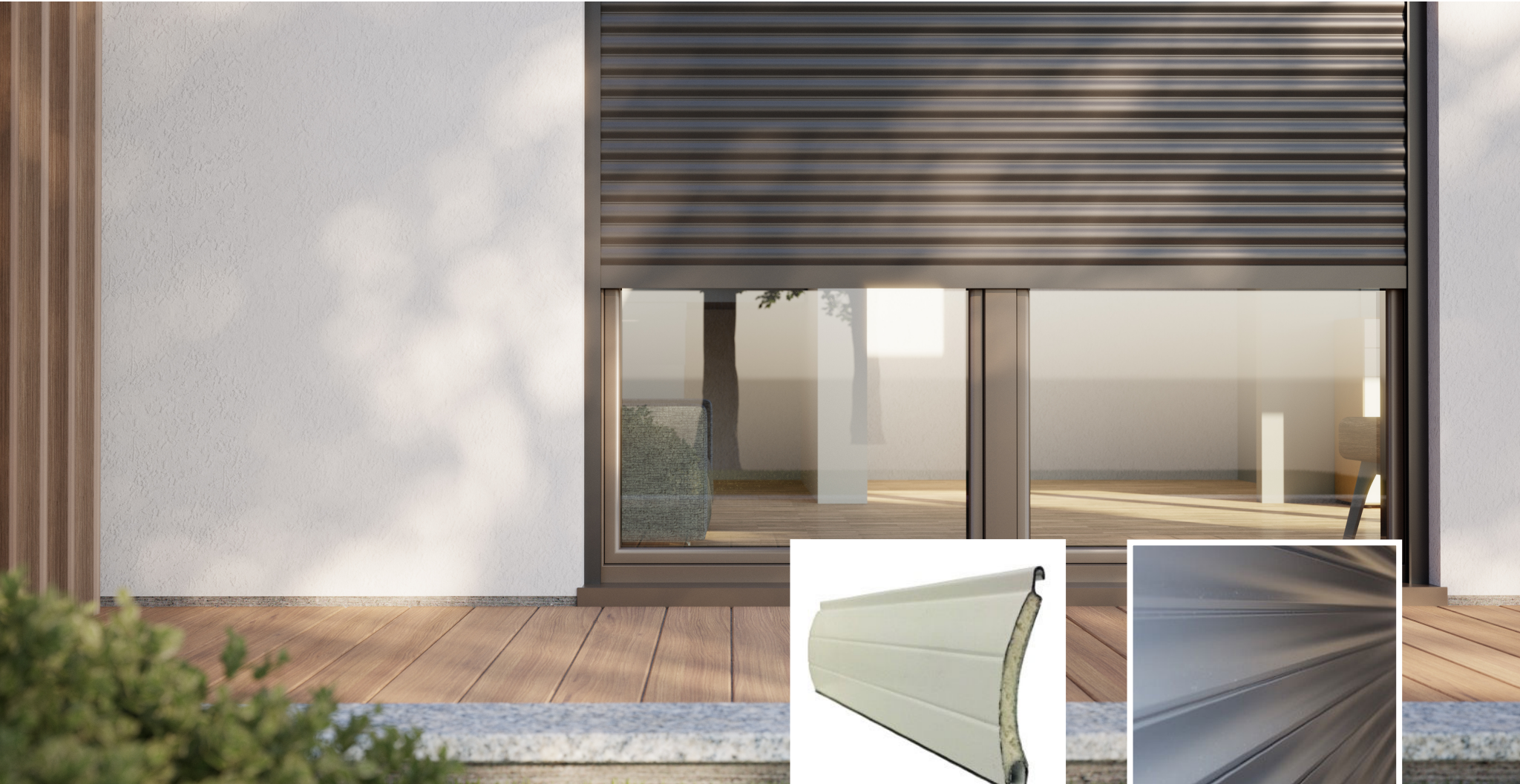


The T55 security shutter provides security, insulation and sound proofing to domestic & light commercial applications up to 3.6m wide and 10m². The compact insulated aluminium profile enables the shutter to roll very tightly into a box which is typically between 165mm to 205mm high.



APPLICATIONS

Domestic and commercial sites requiring insulation and sound proofing.

This shutter type is also available as a high-performance remote-controlled garage door (see 'Compact Garage Door').

CURTAIN SLAT

Double-skinned polyester powder-coated aluminium slat with polyurethane foam insulating core.

Finish: White, Grey, Silver, Ivory, Cream White, Beige, Anthracite, Velvet Brown, Brown, Black, Chartwell Green, Moss Green, Fir Green, Blue, Red, Painted Irish Oak, Painted Golden Oak, Painted Rosewood or Painted Walnut as standard.

Visible Face: 55mm
 Weight per m²: 3.5kg
 Maximum Width: 3600mm
 Maximum Area: 10m²
 Slat U-Value: 2.9 W/m²K

ENCLOSURE

Roll-formed aluminium enclosure with pressure-moulded aluminium end plates.

Finish: White or Brown as standard. Option to powder coat any RAL / BS colour (surcharge applies).

Guide Height (mm)	Plate Size (mm)
1235	165
1520	180
2195	205
3200	250
3500	300

Plate sizes shown as a guide only and may vary.

BOTTOM SLAT

Extruded aluminium bottom slat with rubber weather seal.

GUIDE CHANNELS

Extruded aluminium guide channels with brush inserts. Width of 65mm.

Finish: White or Brown as standard. Option to powder coat any RAL / BS colour (surcharge applies).

OPERATION

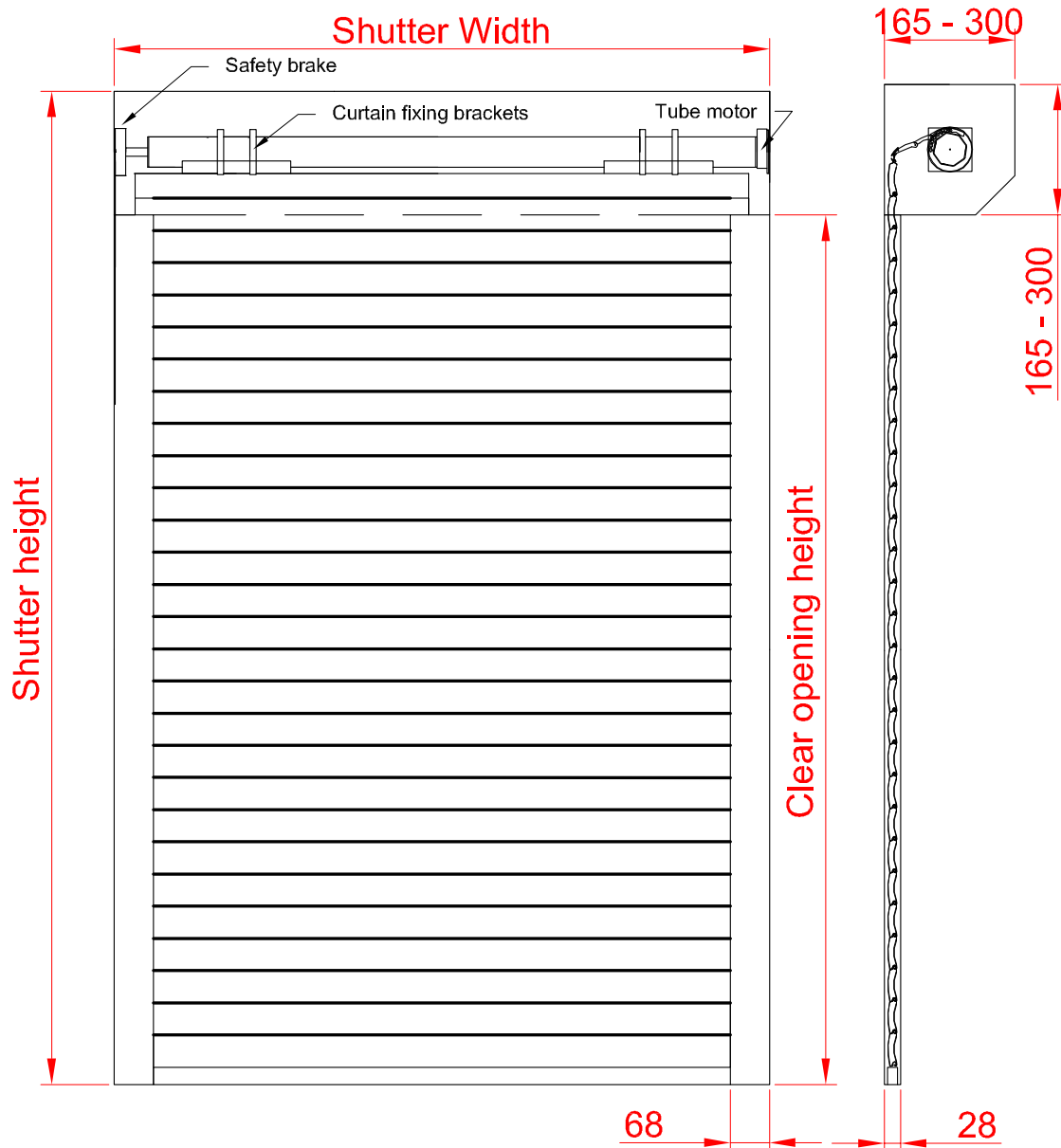
Electric: Somfy tubular motor as standard. Safety brake as appropriate to comply with legislation. Manual override facility & crank handle as required (surcharge applies).

All motors have numerous control option variants. Rocker switch as standard with options for key switch, remote, group or mobile phone activation.

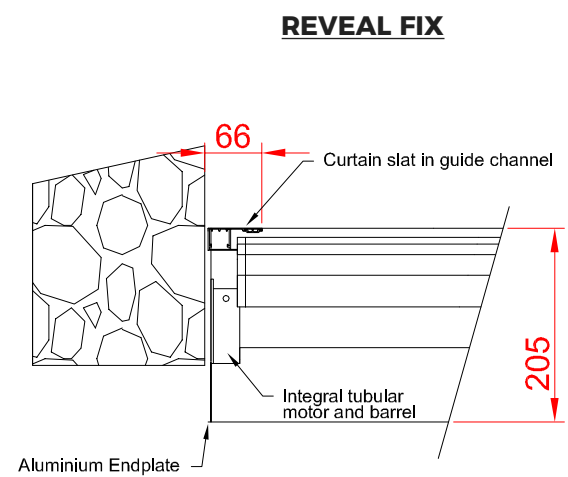
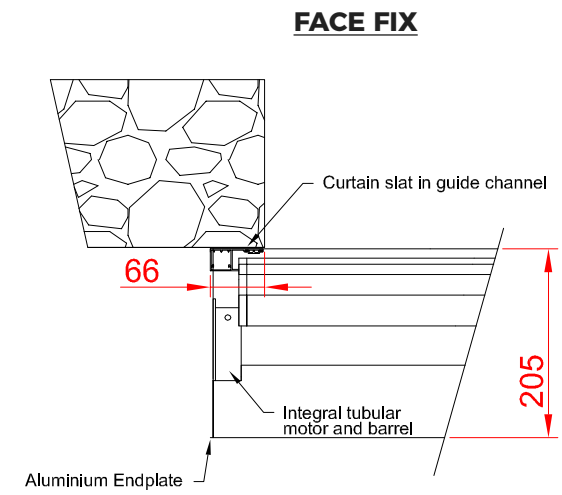
Manual Cord Belt: A swivel winder coils the belt within a compact box.

Manual Spring & Lock: A counter-balanced spring assembly with a key-lock bottom slat & handles.

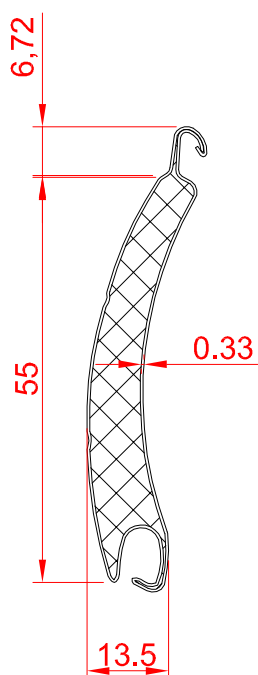
FRONT FACE



FIXING DETAIL



SLAT PROFILE



GUIDE CHANNELS

