

M511

INSULATED ALUMINIUM SECURITY SHUTTER :: TECHNICAL DATASHEET

The M511 provides security, insulation and sound proofing for domestic and light commercial applications up to 5m wide and 12m². The compact insulated aluminium profile enables the shutter to roll very tightly into a box which is typically between 205mm & 250mm high.



APPLICATIONS

Medium security domestic and commercial sites requiring insulation and sound proofing. Can be internal or external face or reveal fit, with a maximum opening size of 12m².

CURTAIN SLAT

Double-skinned polyester powder-coated aluminium slat with polyurethane foam insulating core.. Vented and unvented profiles available.

Finish: White, Anthracite & Black as standard in vented and unvented. Brown, Grey, Beige, Silver, Fir Green, Cream, Dark Brown, Light Ivory, Dark Beige available on request. Price on application.

Visible Face: 55mm
Weight per m²: 4kg
Maximum Width: 5000mm
Maximum Area: 12m²
Slat U-Value: 2.2W/m²/k

ENCLOSURE

Roll-formed aluminium box with pressure-moulded aluminium alloy end plates. Circular box available in 165mm and 205mm sizes (surcharge applies).

Finish: White or Brown as standard. Option to powder coat any RAL / BS colour (surcharge applies).

Guide Height (mm)	Plate Size (mm)
1745	205
2900	250
4200	300

Plate sizes shown as a guide only and may vary.

M511
Non-Vented

M511
Vented

BOTTOM SLAT

Extruded aluminium bottom slat with rubber weather seal.

GUIDE CHANNELS

Extruded aluminium guide channels with brush inserts. Width of 66mm.

Finish: White or Brown as standard. Option to powder coat any RAL / BS colour (surcharge applies).

OPERATION

Electric: Somfy tubular motor as standard. Safety brake as appropriate to comply with legislation.

Manual override facility & crank handle as required (surcharge applies).

All motors have numerous control option variants. Rocker switch as standard with options for key switch, remote, group or mobile phone activation.

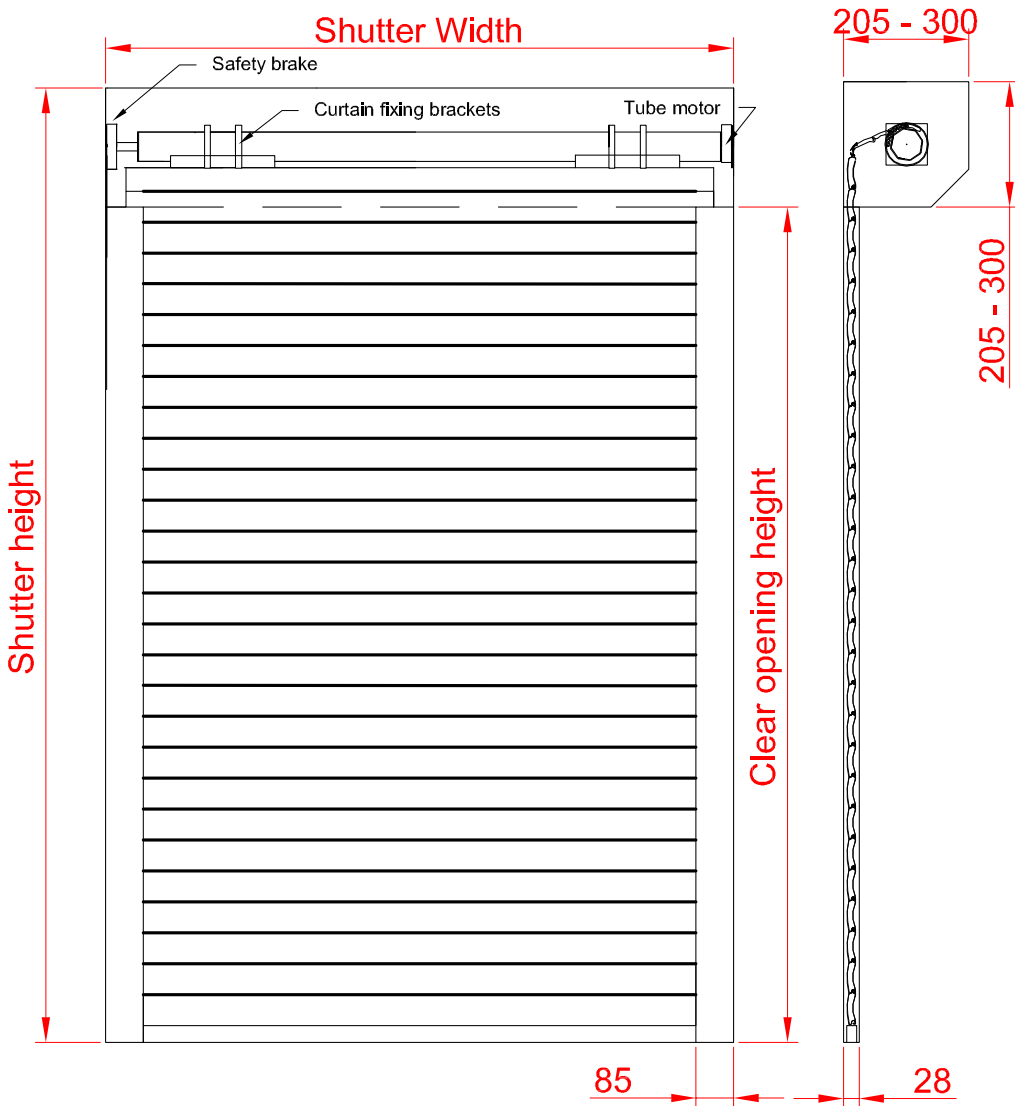
Manual: Manual operation is available but not common as the shutter tends to be used to cover large openings.

M511

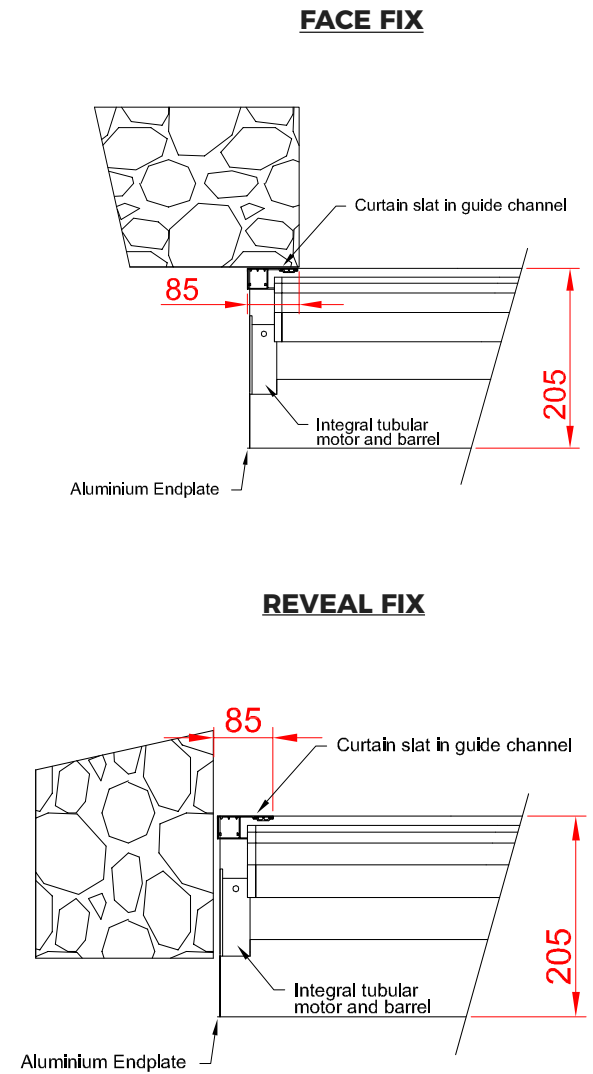
INSULATED ALUMINIUM SECURITY SHUTTER :: TECHNICAL DATASHEET



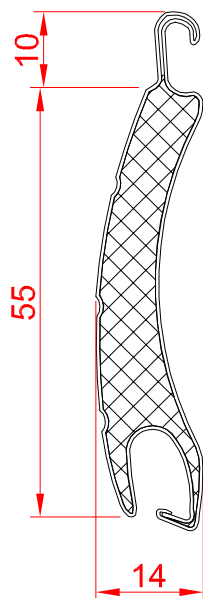
FRONT FACE



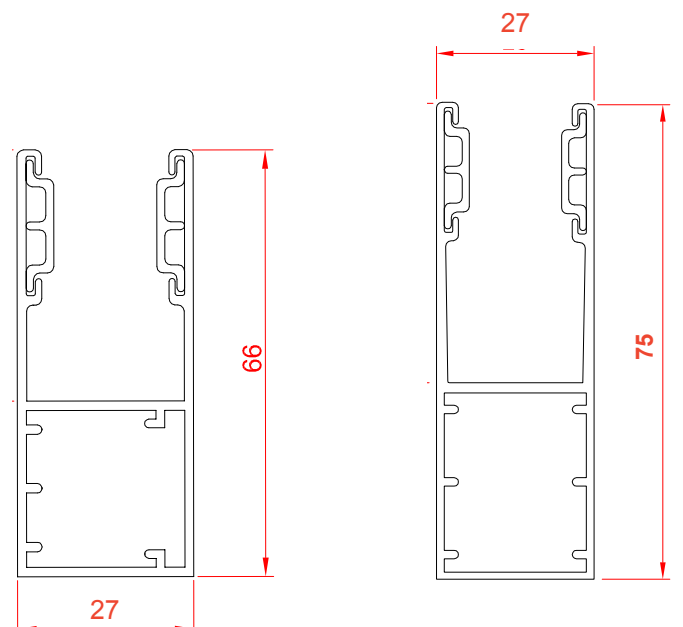
FIXING DETAIL



SLAT PROFILE



GUIDE CHANNELS



Manufactured by Aluroll

Unit 12 Artillery Business Park, Garrison Avenue, Park Hall, Oswestry, Shropshire, SY11 4AD :: Tel: 0800 977 8975 ::

www.aluroll.co.uk

v0424