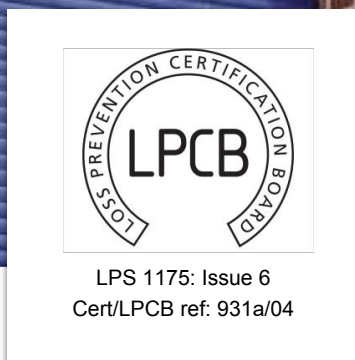


The “Secured By Design” E77 & V77 Elite security shutters have been tested and approved by the LPCB (Loss Prevention Certification Board) to an insurance approved SR2 / B3 security level (LPS 1175: Issue 6). The E77/V77 Elite security shutter provides a medium to high security solution for commercial applications up to 5m wide and 25m<sup>2</sup>. V77 allows for increased levels of visibility.



### APPLICATIONS

The E77 Elite security shutter provides a medium to high security solution for commercial applications up to 5m wide and 25m<sup>2</sup>. The extruded aluminium 77mm profile allows the shutter to roll neatly into a box which is typically between 300mm and 360mm high.

The E77 Elite can be combined with the V77 for higher or lower levels of see through vision transparency and is typically electrically operated via a hard wired switch or remote control with appropriate safety features. The V77 Elite has polycarbonate inserts to infill the punched section.

### CURTAIN SLAT

Double skinned extruded aluminium (E77) or single skinned (V77) extruded aluminium.

Finish: White, Anthracite or Black as standard. Option to powder coat any RAL / BS colour (surcharge applies).

- Visible Face: 77mm
- Weight per m<sup>2</sup>: 8.5kg (E77 Elite)  
8.8kg (V77 Elite with glazing)
- Maximum Width: 5000mm
- Maximum Area: 25m<sup>2</sup>

### ENCLOSURE

Roll-formed aluminium box with pressure-moulded aluminium alloy end plates.

Finish: White or Brown as standard. Option to powder coat any RAL / BS colour (surcharge applies).

### Guide Height (mm)

- 1650
- 2650
- 4640

### Plate Size (mm)

- 250
- 300
- 360

Plate sizes shown as a guide only and may vary.

### BOTTOM SLAT

Extruded aluminium bottom slat with weather seal.

### GUIDE CHANNELS

Extruded aluminium with brush infill and width of 150mm. Guide channels must be fitted 30mm from the opening, giving 180mm from opening edge to back of guide.

Finish: White or Brown as standard. Option to powder coat any RAL / BS colour (surcharge applies).

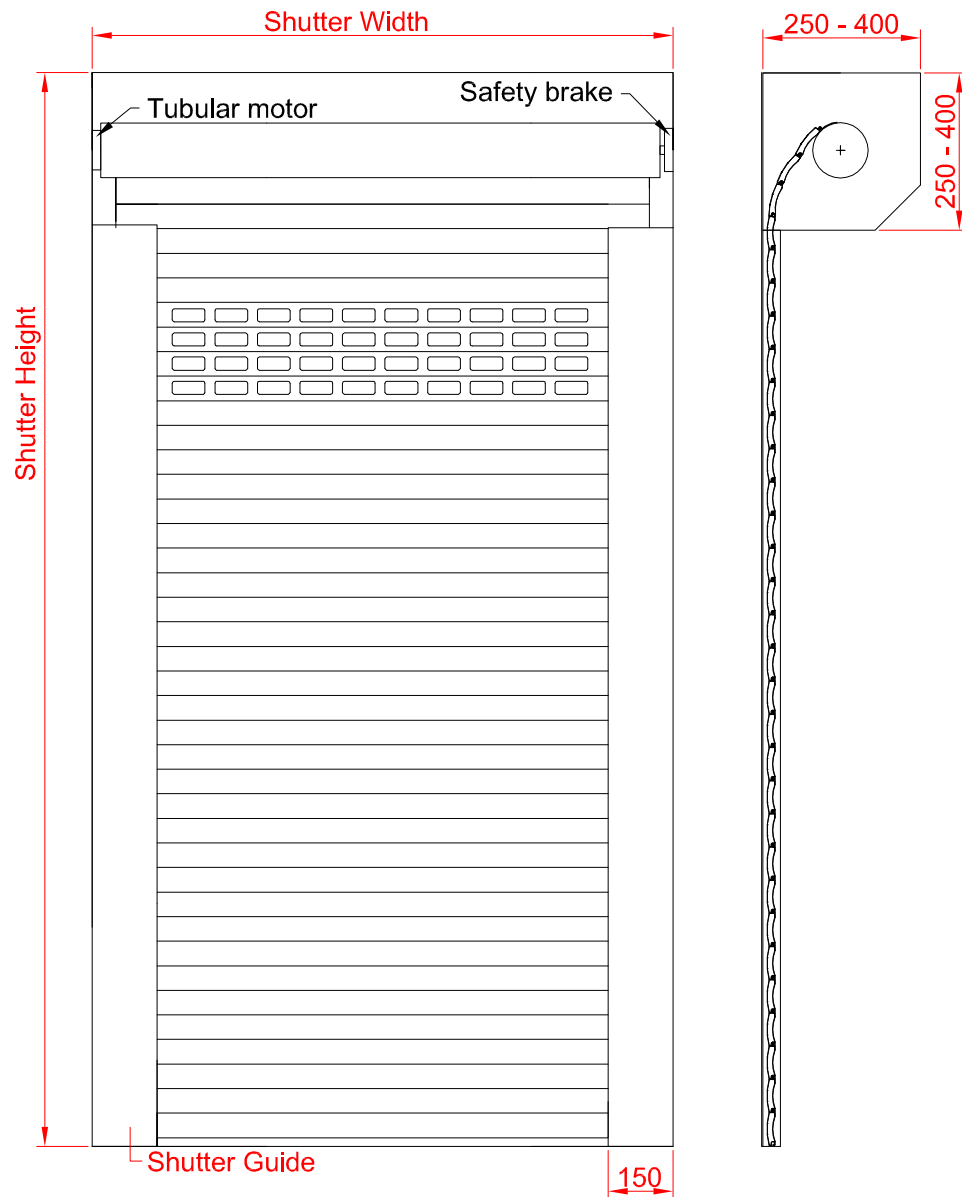
### OPERATION

Electric: Somfy tubular motor as standard. Safety brake as appropriate to comply with legislation.

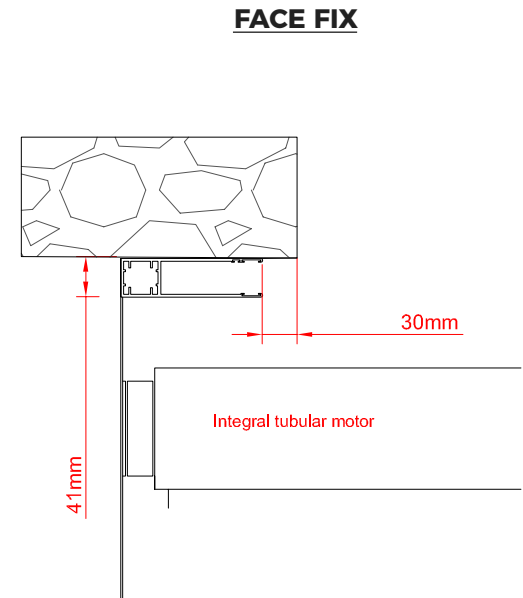
Manual override facility & crank handle as required (surcharge applies).

All motors have numerous control option variants such as rocker switch, key switch, remote and group or mobile phone activation.

### FRONT FACE



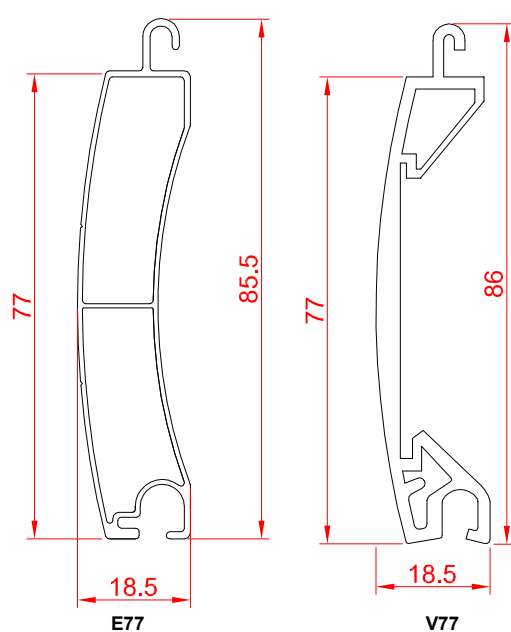
### FIXING DETAIL



#### FACE FIX

The E77/V77 Elite must be face fixed, either to brick, block, steel section or aluminium box section. Approved fixings and installation instructions are provided with the shutter.

### SLAT PROFILE



### GUIDE CHANNELS

