

## EXTRUDED ALUMINIUM SECURITY SHUTTER :: TECHNICAL DATASHEET

The E37 security shutter provides a medium security solution for domestic and commercial applications spanning openings up to 4m wide and 12m<sup>2</sup>.

Each 37mm slat is made from double-skinned extruded aluminium and the solid profiles on the E37 can be used in conjunction with the punched (V37) or perforated (P37) slats to form a composite security shutter, offering increased airflow and visibility.



### APPLICATIONS

Domestic and commercial sites, up to 12m<sup>2</sup>. The E37 rolling shutter is a robust and lightweight barrier which is concealed within a compact enclosure when fully open. It is ideal for window openings and pedestrian door entrances, either internally or externally mounted, with a face or reveal fit. Punched (V37) or Perforated (P37) profile slats may be incorporated as required for full or partial vision.

### CURTAIN SLAT

Double-skinned extruded aluminium slat.

Finish: White, Anthracite & Black as standard. Option to powder coat any RAL / BS colour (surcharge applies).

Visible Face: 37.5mm  
 Weight per m<sup>2</sup>: 7.5kg  
 Maximum Width: 4000mm  
 Maximum Area: 25m<sup>2</sup>

### ENCLOSURE

Roll-formed aluminium enclosure with pressure-moulded aluminium end plates.

Finish: White or Brown as standard. Option to powder coat any RAL / BS colour (surcharge applies).

Guide Height (mm)	Plate Size (mm)
1050	150
1535	165
1820	180
2795	205
3550	250
4700	300

Plate sizes shown as a guide only and may vary.

### BOTTOM SLAT

Extruded aluminium bottom slat with rubber weather seal.

### GUIDE CHANNELS

Extruded aluminium guide channels with brush inserts. Width of 53mm, 60mm HD or 66mm. Self-packing and circular surface guides available on request.

Finish: White or Brown as standard. Option to powder coat any RAL / BS colour (surcharge applies).

### OPERATION

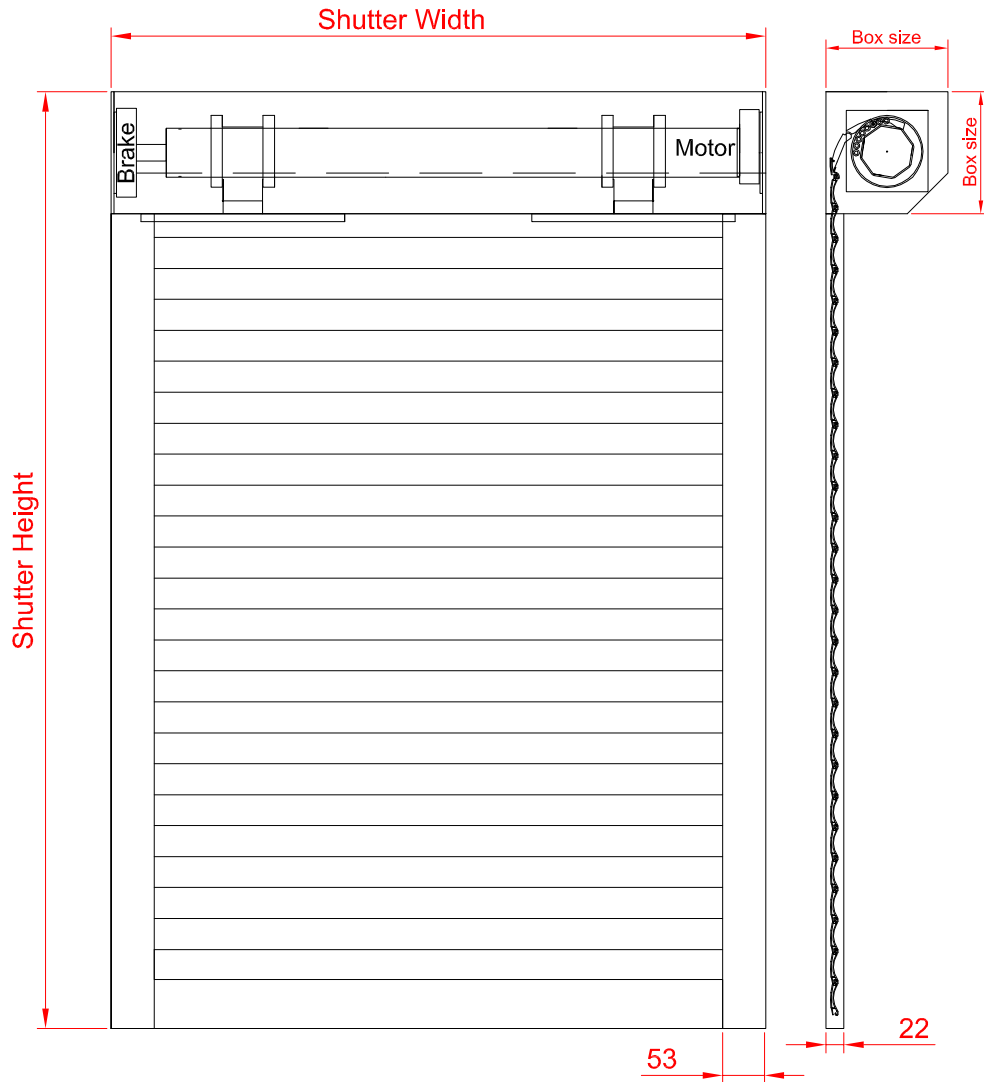
Electric: Somfy tubular motor as standard. Safety brake as appropriate to comply with legislation. Manual override facility & crank handle as required (surcharge applies).

All motors have numerous control option variants such as rocker switch, key switch, remote and group or mobile phone activation.

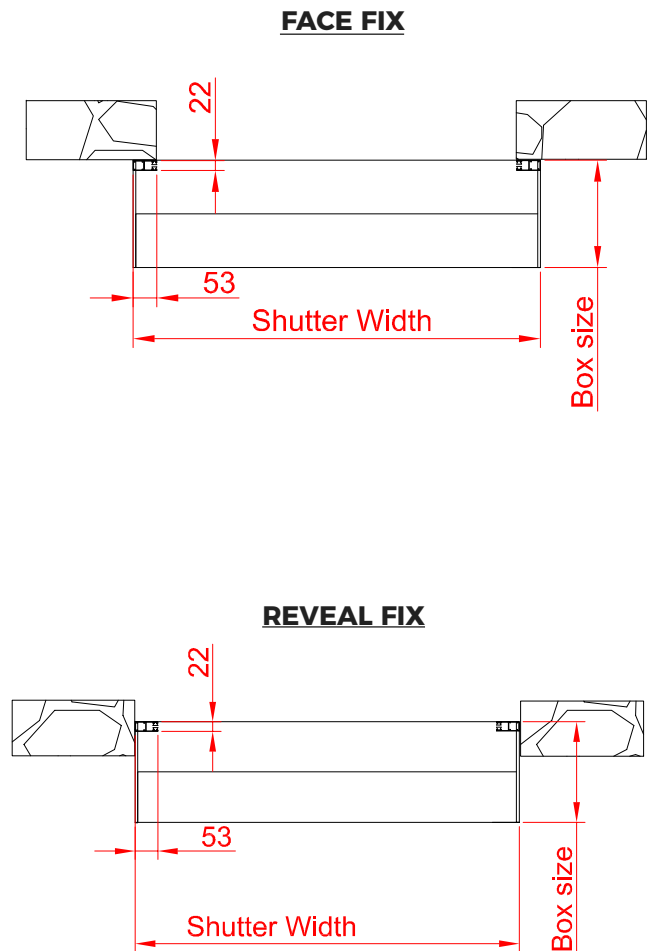
Manual Cord Belt: A swivel winder coils the belt within a compact box.

Manual Spring & Lock: A counter-balanced spring assembly with a key-lock bottom slat & handles.

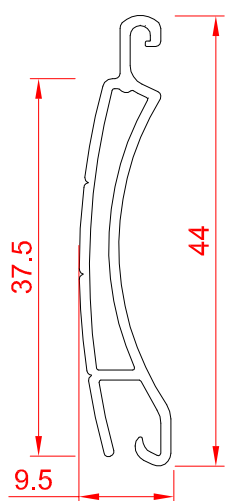
### FRONT FACE



### FIXING DETAIL



### SLAT PROFILE



### GUIDE CHANNELS

