

COMPACT GARAGE DOOR

SPACE-SAVING ROLLER GARAGE DOOR :: TECHNICAL DATASHEET



The Secureroll Compact roller garage door has been developed as a solution for spaces with low headroom. Suitable for garage openings up to 3m wide and 9m², the narrow 55mm insulated slats roll into a neat 205mm (8 inch) enclosure.



APPLICATIONS

Domestic garages with minimal space above the opening. The Compact has smaller slats, enabling a reduced box size.

CURTAIN SLAT

Aluminium double skinned polyester powder coated slat with polyurethane foam insulating core. Circular box available (surcharge applies).

Finish: White, Grey, Silver, Ivory, Cream White, Beige, Anthracite, Velvet Brown, Brown, Black, Chartwell Green, Moss Green, Fir Green, Blue, Red, Painted Irish Oak, Painted Golden Oak, Painted Rosewood, Painted Walnut as standard.

Visible Face: 55mm
Weight per m²: 5kg
Maximum Width: 3000mm
Maximum Area: 9m²
Slat U-Value: 2.9W/m² K

ENCLOSURE

Roll-formed aluminium box with pressure-moulded aluminium alloy end plates.

Finish: To match curtain, White or Brown as standard. Brown for wood effect curtains. Option to powder coat any RAL / BS colour (surcharge applies).

Guide Height (mm)

2195
2650

Plate Size (mm)

205
250

Plate sizes shown as a guide only and may vary.

BOTTOM SLAT

Extruded aluminium bottom slat with rubber weather seal.

GUIDE CHANNELS

Extruded aluminium guide channels with brush inserts. Width of 65mm.

Finish: To match curtain, White or Brown as standard. Brown for wood effect curtains. Option to powder coat any RAL / BS colour (surcharge applies).

OPERATIONS

- Somfy, JCM or Teleco remote control panel with wired or wireless safety sensor, courtesy light, 2 key fobs and alarm. Optional mobile phone activation.

- Somfy or NRG Econom motor with manual override facility & crank handle.

- Safety brake to comply with legislation.

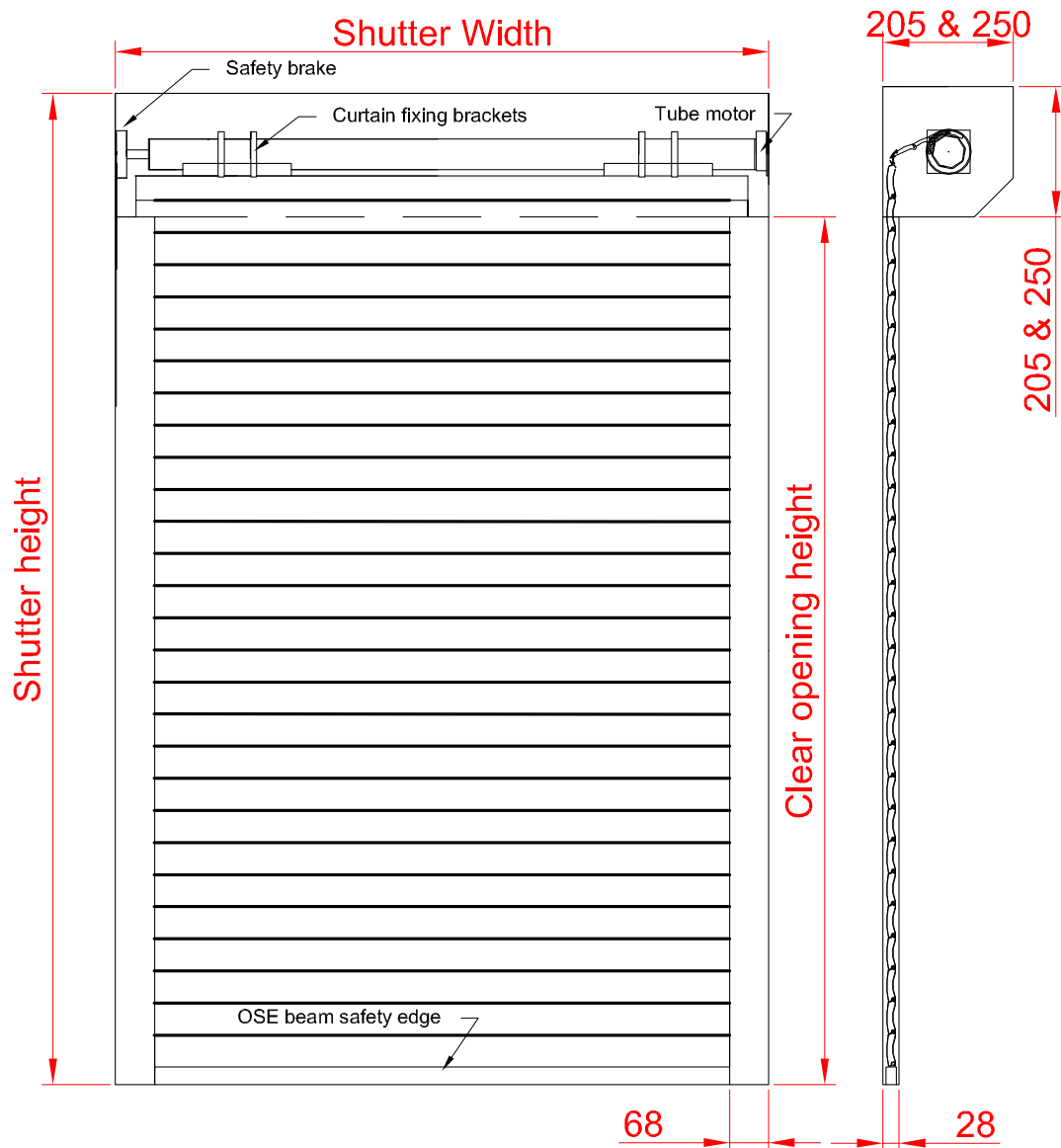
The Compact garage door can be tailored to requirements and installed as a standard security shutter, the T55.

COMPACT GARAGE DOOR

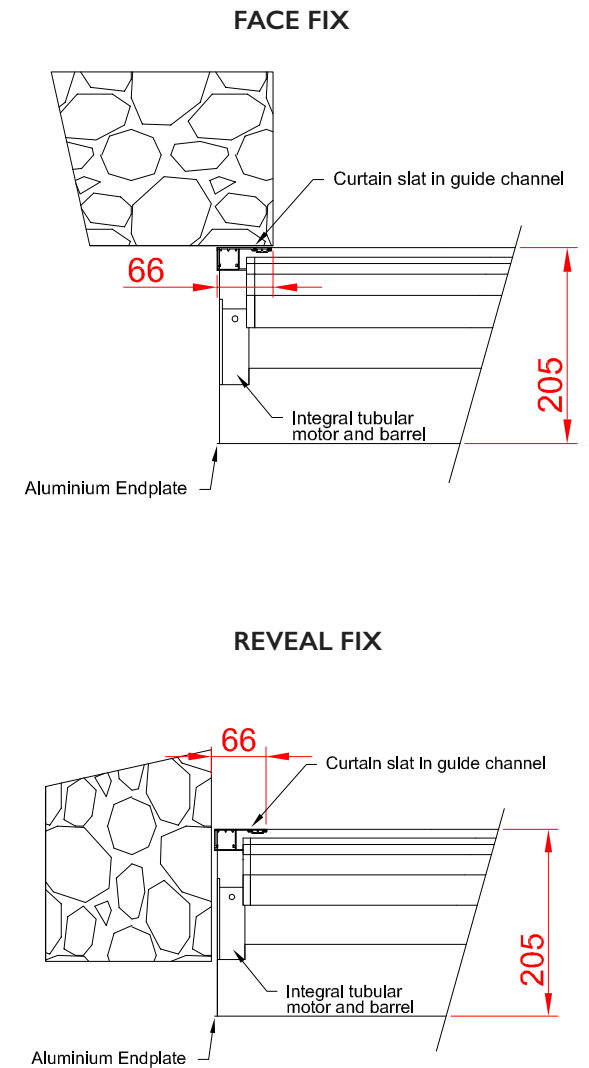
SPACE-SAVING ROLLER GARAGE DOOR :: TECHNICAL DATASHEET



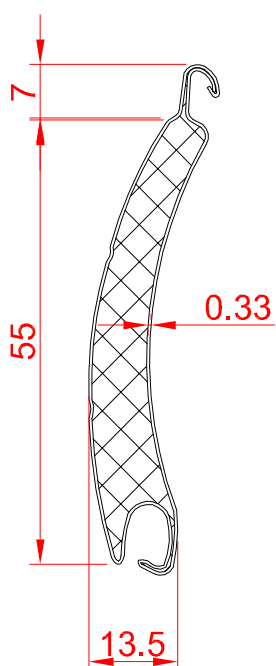
FRONT FACE



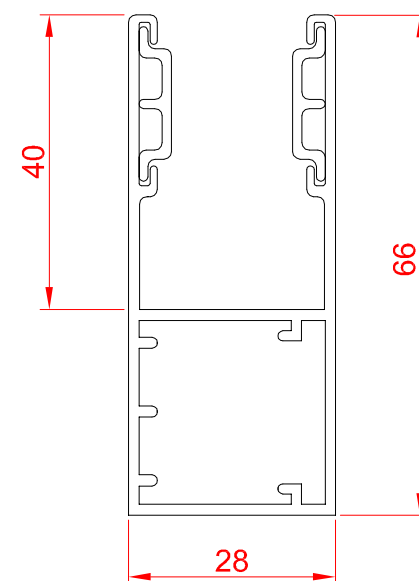
FIXING DETAIL



SLAT PROFILE



GUIDE CHANNELS



Manufactured by Aluroll

Unit 12 Artillery Business Park, Garrison Avenue, Park Hall, Oswestry, Shropshire, SY11 4AD :: Tel: 0800 977 8975 ::

www.aluroll.co.uk

v0424