

# CLASSIC GARAGE DOOR

## INSULATED ROLLER GARAGE DOOR :: TECHNICAL DATASHEET



The Secureroll Classic roller garage door is 'Secured by Design' as standard, tested and approved to Certisecure STS202 BR1 and is ideal for openings up to 5.5m wide and 16m<sup>2</sup>. Each 77mm slat is made from double skinned aluminium with a polyurethane insulated core, reducing heat loss from the garage, as well as providing an excellent security solution.



### APPLICATIONS

Roller garage door suitable for domestic garages and light commercial use. Made to order with remote control operation and "Secured by Design" certification as standard.

### CURTAIN SLAT

77mm double-skinned aluminium slat with polyurethane foam insulating core.

Finish: White, Grey, Silver, Ivory, Cream White, Beige, Graphite, Anthracite, Velvet Brown, Brown, Black, Chartwell Green, Moss Green, Fir Green, Duck Egg Blue, Blue, Red, Painted Irish Oak, Painted Golden Oak or Painted Rosewood, Painted Walnut as standard. Special RAL powder coating and wood laminate effects (Irish Oak, Golden Oak, Rosewood & Mahogany) available on request (surcharges apply).

Visible Face:	77mm
Weight per m <sup>2</sup> :	5kg
Maximum Width:	5500mm
Maximum Area:	16m <sup>2</sup>
Slat U-Value:	1.5 W/m <sup>2</sup> K

### ENCLOSURE

Roll-formed aluminium box with pressure-moulded aluminium alloy end plates.

Finish: To match curtain, White or Brown as standard. Brown for wood effect curtains. Option to powder coat any RAL / BS colour (surcharge applies).

### Guide Height (mm) Plate Size (mm)

1750	250
2650	300
4640	360

Plate sizes shown as a guide only and may vary.

### BOTTOM SLAT

Extruded aluminium bottom slat with rubber weather seal.

### GUIDE CHANNELS

Extruded aluminium guide channels with brush inserts. Widths of 70mm, 90mm or 150mm available.

Finish: To match curtain, White or Brown as standard. Brown for wood effect curtains. Option to powder coat any RAL / BS colour (surcharge applies).

### OPERATION

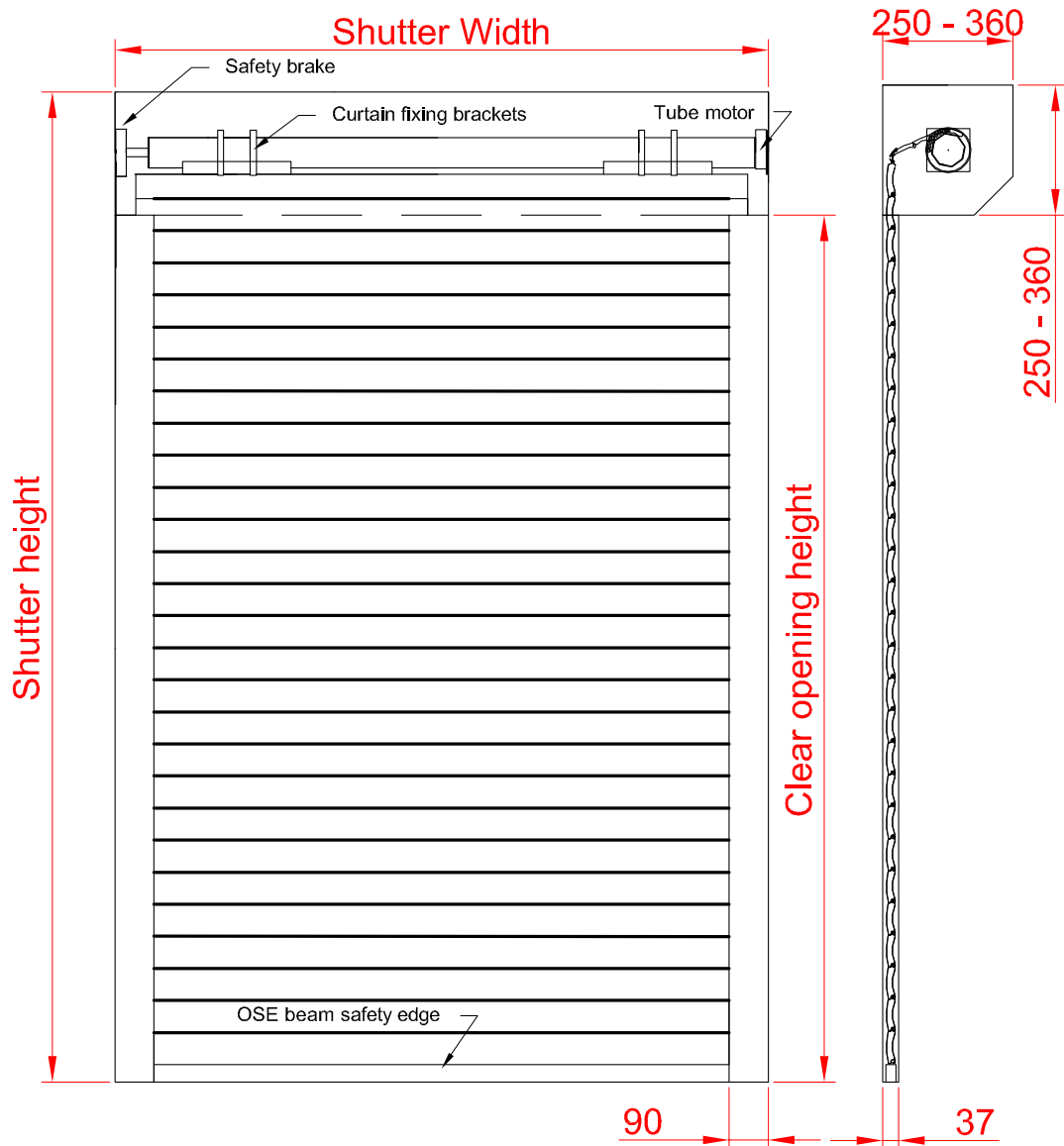
- Somfy, JCM or Teleco remote control panel with wired or wireless safety sensor, courtesy light, 2 key fobs and alarm. Optional mobile phone activation.
- Somfy or NRG Econom motor with manual override facility & crank handle.
- Safety brake to comply with legislation.

# CLASSIC GARAGE DOOR

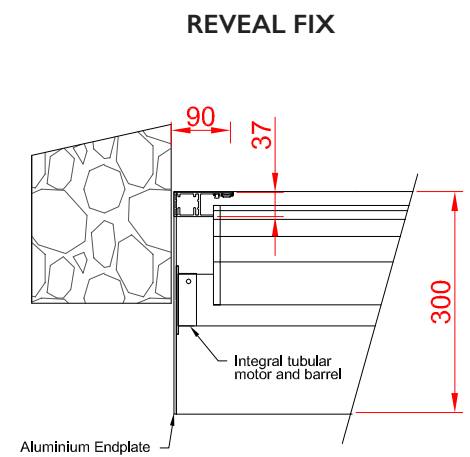
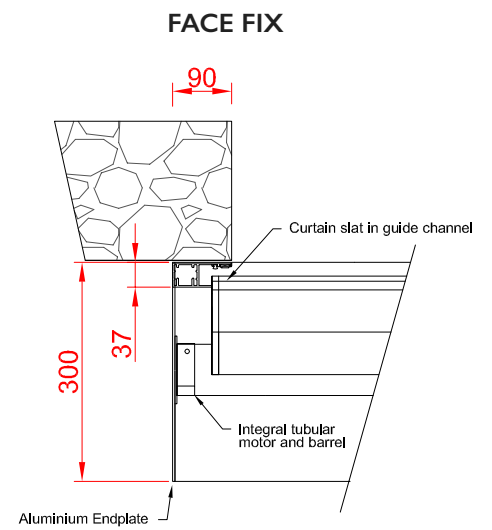
## INSULATED ROLLER GARAGE DOOR :: TECHNICAL DATASHEET



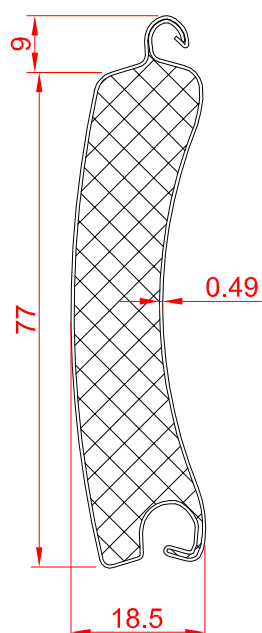
### FRONT FACE



### FIXING DETAIL



### SLAT PROFILE



### GUIDE CHANNELS

