

Aluminium  
**Panel Side  
Doors**

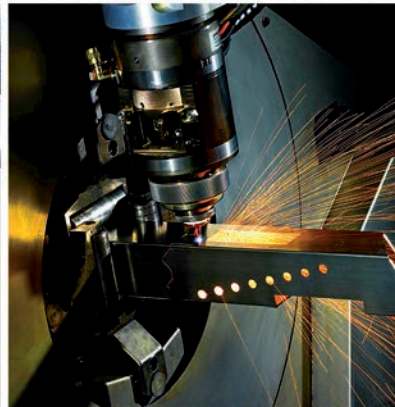


**WIŚNIEWSKI**

IN PARTNERSHIP WITH

 **ALUROLL**

Welcome to the **WIŚNIEWSKI** insulated side hinged **DoorPro** range, brought to you by **ALUROLL**.



Aluroll is proud to partner with WIŚNIEWSKI to distribute high quality, side hinged doors alongside the award-winning sectional door range.

WIŚNIEWSKI has been at the forefront of garage door design for over 30 years and has three production plants spanning over 400,000m<sup>2</sup>. The company's founder Andrzej Wiśniowski remains at the helm of the privately owned company and has made it his goal to create innovative products for both domestic and commercial clients.

Aluroll has long been synonymous with the Secureroll range of roller garage doors and has a unique understanding of what installers and homeowners are looking for. WIŚNIEWSKI side-hinged doors are the most effective solution for garages requiring simple operation and premium features at a competitive price.

# INSULATED SIDE HINGED DOORS

## DoorPro 45



### DoorPro 45 single and double leaf side hinged

Insulated side hinged doors offer the possibility to adapt perfectly to the rest of your home. Thanks to the use of a smooth panel or a panel with medium ribs, no ribs, georgian profiles, they can also be perfectly adapted to a sectional garage door. A wide range of colors and laminates, as well as decorative applications and glazing, offer endless possibilities. Single leaf pass doors are the ideal solution in residential construction, as a side entrance or as a door to the garage.



RAL colours and laminates available

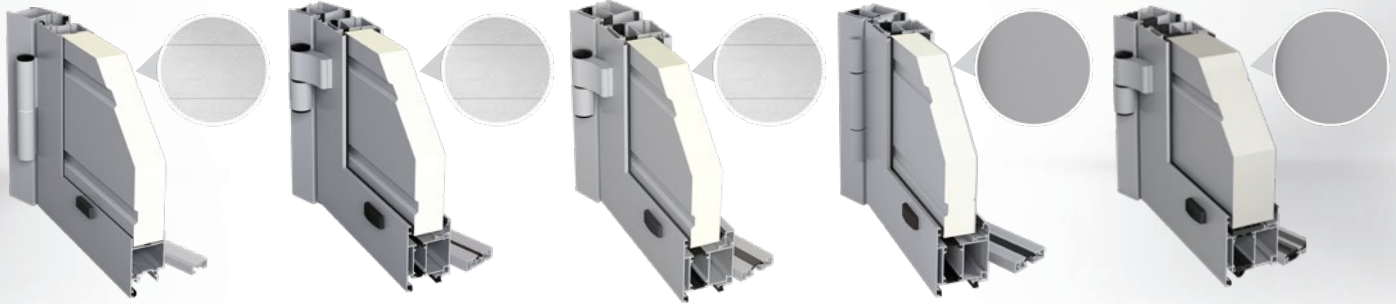
DoorPro 45

DoorPro 60

DoorPro 70

DoorPro 70 RC

DoorTherm 86



**SIDE HINGED DoorPro 45**  
without thermal break

- Single or double leaf version available,
- Frame of the door leaf and door frame is made of aluminium profiles with a 1-chamber system without thermal break with a depth of 45 mm,
- Door panel is 40 mm, insulated with CFC-free polyurethane foam, the inside and outside of door panel, is the same structure of the UniPro sectional door panel.

**SIDE HINGED DoorPro 60, DoorPro 70, DoorPro 70 RC, DoorTherm 86** with thermal break

- Single or double leaf version available,
- Frame of the door leaf and door frame is made of aluminium profiles with 3-chamber system and thermal break with a depth of 60 mm or 70 mm,
- Door panel is 40 mm (with profiles: low, cassette, insulated with CFC-free polyurethane foam, the inside and outside of door panel, is the same structure of the UniPro sectional door panel.
- Burglar resistance class SKG\*\*\* is available for the double doors DoorPro 60.
- DoorTherm 86: frame of the door leaf and frame is made of aluminium profiles with a 3-chamber system and thermal break with a depth of 77 mm, door panel is 60 mm (with profiles: low cassette, high or without profiles), insulated with CFC-free polyurethane foam.

DECORATIVE **APPLICATIONS**



Type AP-1, 330x60 [mm]



Type AP-2, 260 [mm]



Type AP-5, 220x220 [mm]



Type AP-4, 360x220 [mm]



Type AP-3, 220x220 [mm]



Type AP-6, 220x220 [mm]

# FUNCTIONALITY



## TECHNICAL INFORMATION

- Frame of the door leaf and frame is made of aluminium profiles,
- Door with thermal break DoorPro 60, DoorTherm 86,
- Door without thermal barrier DoorTherm 86,
- Available as single leaf and double leaf,
- Symmetrical and asymmetrical distribution possible,
- Standard: three-point lock, stainless steel door handle on long backplate,
- Leaf infill: steel panel of a sectional door 40 mm, 60 mm, insulated with CFC-free polyurethane foam,
- Rebated seals along the entire perimeter of the door leaf and frame,
- The infill is mounted using seals and glass frames,
- Opening direction outwards or inwards, right or left,
- Frame of the door leaf and frame is powder coated in any desired RAL colour,

In aluminium the following applications are possible:

- Side lights and top light,
- Horizontal or vertical style,
- Symmetrical distribution of the wings,
- Structural colours, finish or combined colours,
- Mounting behind the opening using a double frame,
- Infill: smooth panel or glazing,
- With the double doors DoorPro 70 RC with burglary resistance class SKG\*\*\*, an extra sheet metal is provided on the inside of the door leaf with the aim of protecting the outer skin and colour for extra security,
- Mounting behind the opening using a double frame,
- Infill door: steel panel of 30 mm (sheet metal+insulation+sheet metal) AW30-2

# PRODUCT RANGE



**1 Standard hinge**  
(standard with DoorPro 60)



**2 Roller hinge**  
optional for DoorPro 70



**3 Roller hinge**  
Standard front of the DoorPro 45



**4 Hidden hinge**  
Front of the door - optional  
for DoorPro 70



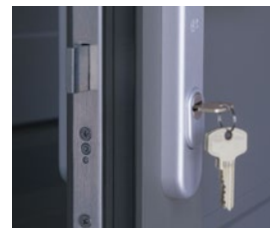
**5 Lever handle Liverpool**  
(with core pull protection SKG\*\*\*)



**6 Door handle Jupiter**



**7 Door handle Denver**  
(standard)



**8 Cylinder DOM**  
cylinder SKG\*\* (standard)



**9 Safety pin**  
(optional)



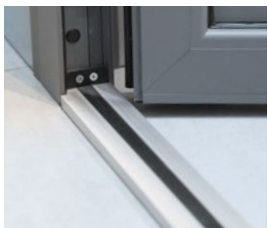
**10 Multi-point lock**  
(standard)



**11 Door closer**  
(optional)



**12 Central unlocking  
passive door leaf**  
(optional)



**13 Aluminum sill**  
doors with thermal break



**14 Door stopper**  
(standard)

# DOOR DESIGNS



L ribbed design



M ribbed design



S ribbed design



Georgian design



Microwave design



L ribbed design with glazing option O



L ribbed design with left side light



L ribbed design with right side light



L ribbed design with top and side light



L ribbed design with horizontal glazing



L ribbed design with vertical glazing

# GLAZING OPTIONS



Window - type A-1



Window - type B-2



Window - type C-1



Window - type E-1



Window - type O



Window - type O-1 stainless steel frame



Window - type O-2 stainless steel frame



Window - type R-1 stainless steel frame



Window - type R-2 stainless steel frame



# WIŚNIEWSKI

GATES | WINDOWS | DOORS | FENCES

It's great when  
everything goes together  
perfectly.



DISCOVER MORE... at [www.wisniowski.eu](http://www.wisniowski.eu)

The products shown in the photographic material often feature special equipment and do not always correspond to their standard versions • This brochure does not constitute an offer within the meaning of the Polish Civil Code. • The manufacturer reserves the right to introduce changes without notice. • NOTE: The colours shown in this brochure are for reference only • All rights reserved • Copying and use, in part or in full, is prohibited without the consent of WIŚNIEWSKI Sp. z o.o. S.K.A. • 08/22/EN

 **ALUROLL**

Artillery Business Park, Garrison Avenue, Park Hall  
Oswestry, Shropshire, SY11 4AD

**Tel. 0800 977 8975**

**[www.aluroll.co.uk](http://www.aluroll.co.uk) | [orders@aluroll.co.uk](mailto:orders@aluroll.co.uk)**